



(11) **EP 3 817 017 A1**

(12) **EUROPEAN PATENT APPLICATION**
published in accordance with Art. 153(4) EPC

(43) Date of publication:
05.05.2021 Bulletin 2021/18

(51) Int Cl.:
H01F 30/10^(2006.01) H01F 27/28^(2006.01)
H01F 27/32^(2006.01)

(21) Application number: **18924161.5**

(86) International application number:
PCT/JP2018/024767

(22) Date of filing: **29.06.2018**

(87) International publication number:
WO 2020/003484 (02.01.2020 Gazette 2020/01)

(84) Designated Contracting States:
AL AT BE BG CH CY CZ DE DK EE ES FI FR GB GR HR HU IE IS IT LI LT LU LV MC MK MT NL NO PL PT RO RS SE SI SK SM TR
Designated Extension States:
BA ME
Designated Validation States:
KH MA MD TN

(72) Inventors:
• **IKEDA, Kosuke**
Hanno-shi, Saitama 357-8585 (JP)
• **HIRUMA Yoshiaki**
Hanno-shi, Saitama 357-8585 (JP)

(71) Applicant: **Shindengen Electric Manufacturing Co., Ltd.**
Tokyo 100-0004 (JP)

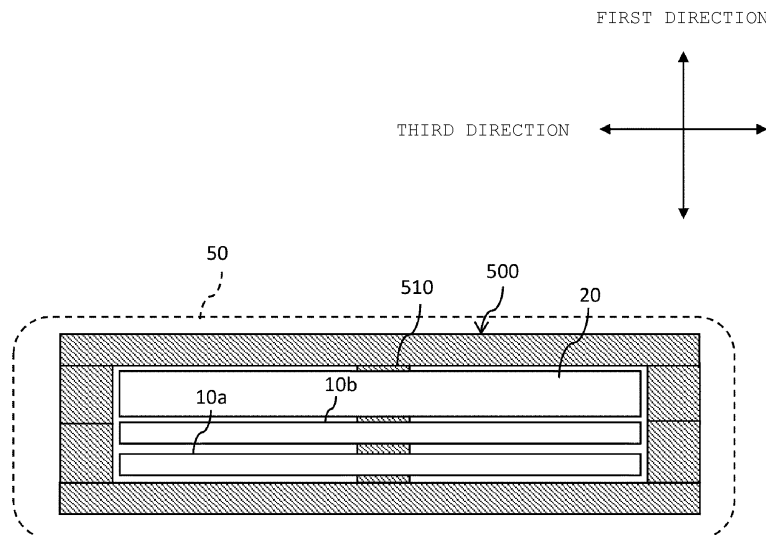
(74) Representative: **AWA Sweden AB**
Junkersgatan 1
582 35 Linköping (SE)

(54) **MAGNETIC COMPONENT**

(57) A magnetic component has a primary coil 10; a secondary coil 20 disposed to face the primary coil 10; a core 500 which passes through the primary coil 10 and the secondary coil 20; and a coil sealing part 50 which

seals at least the primary coil 10 and the secondary coil 20, and a part or whole of region between the primary coil 10 and the secondary coil 20 and the core 500.

FIG. 4



EP 3 817 017 A1

Description

[Concept 3]

Technical Field

[0007] In the magnetic component according to concept 1 or 2,**[0001]** The present invention relates to a magnetic component having a primary coil and a secondary coil.

5 an insulating sheet may be provided between one surface side of the primary coil or the secondary coil and the core, or between another surface side of the primary coil or the secondary coil and the core.

Background Art

[0002] Conventionally, in a transformer having a primary coil and a secondary coil, it has been common to provide a heat dissipation sheet between wirings forming the respective coils in order to maintain electrical insulation in the respective coils. However, in a case where such heat dissipation sheets are provided, a space is inevitably formed in the heat dissipation sheet, and thus there is a problem that thermal conductivity decreases. JP 2014-56868 A proposes to secure heat dissipation by using a resin having good thermal conductivity; however, it still cannot be said to be sufficient from the viewpoint of heat dissipation.

10 [Concept 4]

[0008] In the magnetic component according to any one of concepts 1 to 3, an insulating sheet may be provided between one lateral side of the primary coil or the secondary coil and the core, or between another lateral side of the primary coil or the secondary coil and the core.**[0003]** Furthermore, although it has been conventionally proposed to seal a coil with a resin as in JP 5-283247 A, it is merely proposed to simply seal one coil with a resin.

15 [Concept 5]

[0009] In the magnetic component according to any one of concepts 1 to 4, another surface of the core may be exposed from the coil sealing part, or one surface of the core may be exposed from the coil sealing part.

SUMMARY OF INVENTION

20 [Concept 6]

PROBLEM TO BE SOLVED BY INVENTION

[0004] The present invention provides an aspect in which thermal conductivity and heat dissipation can be further improved in a magnetic component having a primary coil and a secondary coil.25 **[0010]** In the magnetic component according to any one of concepts 1 to 5,

30 the coil sealing part may cover entirety of the core, and a thickness of the coil sealing part on another surface side may be thinner than a thickness of the coil sealing part on one surface side, or a thickness of the coil sealing part on one surface side may be thinner than a thickness of the coil sealing part on another surface side.

MEANS FOR SOLVING PROBLEM

[Concept 1]

35 [Concept 7]

[0005] A magnetic component may comprise:40 **[0011]** The magnetic component according to any one of concepts 1 to 6 may further comprise:

a primary coil;
 a secondary coil disposed to face the primary coil;
 a core which passes through the primary coil and the secondary coil; and
 a coil sealing part which seals at least the primary coil and the secondary coil, and a part or whole of region between the primary coil and the secondary coil and the core.

45 a primary-side electronic element connected to the primary coil;
 a primary-side sealing part sealing the primary-side electronic element;
 a secondary-side electronic element connected to the secondary coil; and
 a secondary-side sealing part sealing the secondary-side electronic element, wherein
 50 materials of the coil sealing part, the primary-side sealing part, and the secondary-side sealing part may be identical.

[Concept 2]

[0006] In the magnetic component according to concept 1, an insulating sheet may be provided between the primary coil or the secondary coil and the core.

55 [Concept 8]

[0012] In the magnetic component according to any one of concepts 1 to 7,

the coil sealing part may have a first sealing part which seals the primary coil and the secondary coil, and a second sealing part which seals at least a part of the core, and

a material for the first sealing part may have a higher fluidity than a material for the second sealing part.

[Concept 9]

[0013] In the magnetic component according to any one of concepts 1 to 8,

the coil sealing part may have a first sealing part which seals the primary coil and the secondary coil, and a second sealing part which seals at least a part of the core, and

thermal conductivity of the second sealing part may be higher than thermal conductivity of the first sealing part.

[Concept 10]

[0014] The magnetic component according to any one of concepts 1 to 9 may further comprise:

a primary-side electronic element connected to the primary coil;

a primary-side sealing part sealing the primary-side electronic element;

a secondary-side electronic element connected to the secondary coil; and

a secondary-side sealing part sealing the secondary-side electronic element, wherein

the coil sealing part may have a first sealing part which seals the primary coil and the secondary coil, and a second sealing part which seals at least a part of the core,

a material of the first sealing part and a material of the second sealing part may be different, and

materials of the first sealing part, the primary-side sealing part and the secondary-side sealing part may be identical, or materials of the second sealing part, the primary-side sealing part and the secondary-side sealing part may be identical.

EFFECT OF INVENTION

[0015] As an aspect of the present invention, in a case of adopting an aspect in which the coil sealing part made of sealing resin for sealing the primary coil and the secondary coil is provided, space having a low thermal conductivity that is inevitably formed between the primary coil and the secondary coil can be eliminated, thermal conductivity can be increased, and heat dissipation can be improved. Furthermore, as an aspect of the present invention, in a case of adopting an aspect in which a part or whole of the region between the core and the coils is also sealed with the coil sealing part, space with low thermal conductivity provided between the core and the coil can be eliminated, and thermal conductivity can be in-

creased. Therefore, heat dissipation can be further improved.

BRIEF DESCRIPTION OF DRAWINGS

[0016]

Fig. 1 is a plan view illustrating an electronic device that can be used in a first embodiment of the present invention before being separated from a lead frame. Fig. 2 is a plan view corresponding to Fig. 1 illustrating a coil sealing part, a primary-side sealing part, and a secondary-side sealing part which can be used in the first embodiment of the present invention.

Fig. 3 is a side view of a primary coil and a secondary coil which can be used in the first embodiment of the present invention as viewed along a third direction. Fig. 4 is a side view of the primary coil, the secondary coil, the core, and the coil sealing part which can be used in the first embodiment of the present invention as viewed along a second direction.

Fig. 5 is a perspective view illustrating the primary coil and a primary-side extended part which can be used in the first embodiment of the present invention.

Fig. 6 is a side sectional view illustrating a primary-side electronic element and a secondary-side electronic element which can be used in the first embodiment of the present invention.

Fig. 7 is a side sectional view illustrating another aspect of the primary-side electronic element and the secondary-side electronic element which can be used in the first embodiment of the present invention. Fig. 8 is a side view illustrating the relationship among the coil sealing part, the primary-side sealing part, the secondary-side sealing part, and a cooling body which can be used in the first embodiment of the present invention.

Fig. 9 is a side view of a primary coil, a secondary coil, a core, and a coil sealing part which can be used in a second embodiment of the present invention as viewed along the second direction.

Fig. 10 is a side view of the primary coil, the secondary coil, the core, and the coil sealing part which can be used in a modification of the second embodiment of the present invention as viewed along the second direction.

Fig. 11 is a side view of a primary coil, a secondary coil, a core, and a coil sealing part which can be used in a third embodiment of the present invention as viewed along the second direction.

Fig. 12 is a side view of the primary coil, the secondary coil, the core, and the coil sealing part which can be used in Modification 1 of the third embodiment of the present invention as viewed along the second direction.

Fig. 13 is a side view of the primary coil, the secondary coil, the core, and the coil sealing part which can be used in Modification 2 of the third embodiment of

the present invention as viewed along the second direction.

Fig. 14 is a side view of the primary coil, the secondary coil, the core, and the coil sealing part which can be used in Modification 3 of the third embodiment of the present invention as viewed along the second direction.

Fig. 15 is a side view of a primary coil, a secondary coil, a core, and a coil sealing part which can be used in a fourth embodiment of the present invention as viewed along the second direction.

Fig. 16 is a side view of the primary coil, the secondary coil, the core, and the coil sealing part which can be used in Modification 1 of the fourth embodiment of the present invention as viewed along the second direction.

Fig. 17 is a side view of the primary coil, the secondary coil, the core, and the coil sealing part which can be used in Modification 2 of the fourth embodiment of the present invention as viewed along the second direction.

Fig. 18 is a side view of a primary coil, a secondary coil, a core, and a coil sealing part which can be used in a fifth embodiment of the present invention as viewed along the second direction.

Fig. 19 is a side view of the primary coil, the secondary coil, the core, and the coil sealing part which can be used in Modification 1 of the fifth embodiment of the present invention as viewed along the second direction.

Fig. 20 is a side view of the primary coil, the secondary coil, the core, and the coil sealing part which can be used in Modification 2 of the fifth embodiment of the present invention as viewed along the second direction.

Fig. 21 is a side view of the primary coil, the secondary coil, the core, and the coil sealing part which can be used in Modification 3 of the fifth embodiment of the present invention as viewed along the second direction.

Fig. 22 is a side view of the primary coil, the secondary coil, the core, and the coil sealing part which can be used in Modification 4 of the fifth embodiment of the present invention as viewed along the second direction.

Fig. 23 is a side view of the primary coil, the secondary coil, the core, and the coil sealing part which can be used in Modification 5 of the fifth embodiment of the present invention as viewed along the second direction.

Fig. 24 is a side view of a primary coil, a secondary coil, a core, and a coil sealing part which can be used in a sixth embodiment of the present invention as viewed along the second direction.

Fig. 25 is a side view of a primary coil, a secondary coil, a core, and a coil sealing part which can be used in a seventh embodiment of the present invention as viewed along the second direction.

Fig. 26 is a side view illustrating the relationship among a coil sealing part, a primary-side sealing part, a secondary-side sealing part, and a cooling body which can be used in an eighth embodiment of the present invention.

Fig. 27 is a plan view illustrating an example of an arrangement aspect of a primary-side sealing part and a secondary-side sealing part which can be used in an embodiment of the present invention.

Description of Embodiments

Description of Embodiments

15 First Embodiment

<<Configuration>>

[0017] In the present embodiment, "one side" means the upper side in Fig. 3, and "another side" means the lower side in Fig. 3. The up-down direction in Fig. 3 is referred to as a "first direction", the right-left direction in Fig. 3 is referred to as a "second direction", and the front-back direction of the sheet in Fig. 3 is referred to as a "third direction". The in-plane direction including the second direction and the third direction is called a "planar direction".

[0018] As illustrated in Fig. 1, a magnetic component such as a transformer according to the present embodiment may have a primary coil 10, a secondary coil 20 disposed to face the primary coil 10, a core 500 (see Fig. 4) which passes through the primary coil 10 and the secondary coil 20, and a coil sealing part 50 (see Fig. 4) which seals at least the primary coil 10, the secondary coil 20, and a part or the whole of the region (boundary portion) between the core 500 and the primary coil 10 and the secondary coil 20. The core 500 may be an E core having a leg part 510 at the center, and the leg part 510 of the core 500 may pass through center holes 10c, 20c which are substantially circular and are provided at the centers of the primary coil 10 and the secondary coil 20, respectively. A part or the whole of the region between the leg part 510 and the coils 10, 20 may be sealed by the coil sealing part 50. An electronic device according to the present embodiment may have the magnetic component described above, and a primary-side electronic element 110 and a secondary-side electronic element 210 to be described later.

[0019] The coil sealing part 50 may cover entirety of the outside of the peripheral edge of the core 500, and the core 500 may not be exposed from the coil sealing part 50.

[0020] As illustrated in Figs. 1 and 2, the primary-side electronic element 110 connected to the primary coil 10 may be sealed by the primary-side sealing part 150. The secondary-side electronic element 210 connected to the secondary coil 20 may be sealed by the secondary-side sealing part 250. The materials of the coil sealing part

50, the primary-side sealing part 150, and the secondary-side sealing part 250 may be identical. However, the materials for the coil sealing part 50, the primary-side sealing part 150, and the secondary-side sealing part 250 are not limited to this, and may be different materials. The primary-side sealing part 150 and the secondary-side sealing part 250 may be made of an identical material, and the coil sealing part 50, the primary-side sealing part 150, and the secondary-side sealing part 250 may be made of different materials.

[0021] A first electronic module 100 having the primary-side electronic element 110 and the primary-side sealing part 150 may be provided. As illustrated in Fig. 1, the first electronic module 100 may have a primary-side substrate 120, a plurality of primary-side conductor layers 130 provided on one surface of the primary-side substrate 120, and a primary-side electronic element 110 provided on one surface of the primary-side conductor layer 130. The surfaces on one side of the primary-side electronic element 110, the primary-side substrate 120, and the surface on one side of the primary-side conductor layer 130 may be sealed by the primary-side sealing part 150 (see Fig. 2).

[0022] As illustrated in Fig. 1, a second electronic module 200 having the secondary-side electronic element 210 and the secondary-side sealing part 250 may be provided. As illustrated in Fig. 1, the second electronic module 200 may have a secondary-side substrate 220, a plurality of secondary-side conductor layers 230 provided on one surface of the secondary-side substrate 220, and a secondary-side electronic element 210 provided on one surface of the secondary-side conductor layer 230. The surfaces on one side of the secondary-side electronic element 210, the secondary-side substrate 220, and the surface on one side of the secondary-side conductor layer 230 may be sealed by the secondary-side sealing part 250 (see Fig. 2).

[0023] Unlike the aspect illustrated in Fig. 1, the primary-side electronic element 110 may be provided on a primary-side extended part 60 extending from the primary coil 10 to the outside of the coil sealing part 50. The secondary-side electronic element 210 may be provided on a secondary-side extended part 70 extending from the secondary coil 20 to the outside of the coil sealing part 50.

[0024] A plurality of the primary-side electronic elements 110 may be provided. One of the primary-side electronic elements 110 or two or more of the primary-side electronic elements 110 are provided on the primary-side extended part 60 via a conductive adhesive such as solder, and the rest of the primary-side electronic elements 110 may be provided on the primary-side substrate 120.

[0025] A plurality of the secondary-side electronic elements 210 may be provided. One of the secondary-side electronic elements 210 or two or more of the secondary-side electronic elements 210 are provided on the secondary-side extended part 70, and the rest of the secondary-side electronic elements 210 may be provided on

the secondary-side substrate 220.

[0026] As illustrated in Fig. 6, on one surface of the primary-side electronic element 110, a primary-side first electrode (for example, a source electrode) 111 and a primary-side second electrode (for example, a gate electrode) 112 may be provided, and on another surface of the primary-side electronic element 110, a primary-side third electrode (for example, a drain electrode) 113 may be provided. The primary-side first electrode 111 and the primary-side conductor layer 130 may be connected via a primary-side first connector 116 (see Fig. 1) and a conductive adhesive such as solder. The primary-side second electrode 112 and the primary-side conductor layer 130 may be connected via a primary-side second connector 117 (see Fig. 1) and a conductive adhesive such as solder. The primary-side third electrode 113 and the primary-side conductor layer 130 may be connected via a conductive adhesive such as solder. Furthermore, as illustrated in Fig. 7, the primary-side first electrode 111 may be provided on the one surface of the primary-side electronic element 110, and the primary-side second electrode 112 may be provided on the other surface of the primary-side electronic element 110.

[0027] As illustrated in Fig. 7, a secondary-side first electrode 211 may be provided on one surface of the secondary-side electronic element 210, and a secondary-side second electrode 212 may be provided on another surface of the secondary-side electronic element 210. The secondary-side first electrode 211 and the secondary-side conductor layer 230 may be connected via the secondary-side first connector 216 (see Fig. 1) via a conductive adhesive such as solder. Furthermore, as illustrated in Fig. 6, on the one surface of the secondary-side electronic element 210, the secondary-side first electrode (for example, a source electrode) 211 and the secondary-side second electrode (for example, a gate electrode) 212 may be provided, and on the other surface of the secondary-side electronic element 210, a secondary-side third electrode (for example, a drain electrode) 213 may be provided. The secondary-side third electrode 213 and the secondary-side conductor layer 230 may be connected via a conductive adhesive such as solder.

[0028] As illustrated in Fig. 3, the primary coil 10 may have a first coil 10a and a second coil 10b connected to the first coil 10a. The second coil 10b may be provided on one side of the first coil 10a, and the first coil 10a and the second coil 10b may be connected by a connecting part 19 which is linear and extends along the first direction. The connecting part 19 does not need to be completely parallel to the first direction, and may be inclined in the first direction. The aspect of "extending along the first direction" also includes the aspect of extending so as to be inclined in the first direction in this manner. The secondary coil 20 may be provided on one side of the second coil 10b.

[0029] The first coil 10a and the second coil 10b of the primary coil 10 may have the identical number of turns or different numbers of turns. As an example, each of the

first coil 10a and the second coil 10b of the primary coil 10 may have five turns. The number of turns of the secondary coil 20 may be one, or may be two or more. An aspect in which the number of turns of the secondary coil 20 is less than 1 and the secondary coil 20 may not make a circle may be adopted.

<<Effect>>

[0030] Next, operation and effect according to the present embodiment having the above-described configuration will be described. Note that any aspect described in "Effect" can be adopted in the above configuration.

[0031] In the present embodiment, as illustrated in Fig. 4, in a case of adopting an aspect in which the coil sealing part 50 made of sealing resin for sealing the primary coil 10 and the secondary coil 20 is provided, space having a low thermal conductivity that is inevitably formed between the primary coil 10 and the secondary coil 20 can be eliminated, thermal conductivity can be increased, and heat dissipation can be improved. Furthermore, in the case of adopting an aspect in which a part or the whole of the region between the core 500 and the coils 10, 20 is also sealed with the coil sealing part 50, space with low thermal conductivity provided between the core 500 and the coil can be eliminated, and thermal conductivity can be increased. Therefore, heat dissipation can be further improved.

[0032] As illustrated in Fig. 5, in the case of adopting the aspect in which the first coil 10a of the primary coil 10 and the primary-side extended part 60 extending to the inside of the primary-side sealing part 150 are integrated, it is advantageous in that a member in which the primary coil 10 and the primary-side extended part 60 are integrated can be easily manufactured by forming the primary coil 10 and the primary-side extended part 60 in a member such as a lead frame and removing an unnecessary portion.

[0033] As illustrated in Fig. 1, in the case of adopting an aspect in which the secondary coil 20 and the secondary-side extended part 70 extending to the inside of the secondary-side sealing part 250 are integrated, a member in which the secondary coil 20 and the secondary-side extended part 70 are integrated can be easily manufactured by forming the secondary coil 20 and the secondary-side extended part 70 in a member such as a lead frame and removing an unnecessary portion.

[0034] As illustrated in Fig. 8, a cooling body 350 such as a heat sink may be provided on another surface (back surface) of the coil sealing part 50, another surface (back surface) of the primary-side sealing part 150, and another surface (back surface) of the secondary-side sealing part 250. In the case of adopting such an aspect, it is advantageous in that the coil sealing part 50, the primary-side sealing part 150, and the secondary-side sealing part 250 can be cooled by the cooling body 350.

Second Embodiment

[0035] Next, a second embodiment of the present invention will be described.

[0036] In the present embodiment, as illustrated in Fig. 9, a thickness D1 of a coil sealing part 50 on another surface side may be thinner than a thickness D2 of the coil sealing part 50 on one surface side. Other configurations are similar to those of the first embodiment, and any aspect described in the first embodiment can be adopted. Identical reference signs are used for the members described in the first embodiment.

[0037] In the case of adopting an aspect in which the thickness D1 on the other surface side of the coil sealing part 50 is thinner than the thickness D2 on the one surface side of the coil sealing part 50, heat dissipation efficiency on the other surface side of the coil sealing part 50 can be improved. For example, in a case where a cooling body 350 such as a heat sink is provided on the other surface side of the coil sealing part 50, an aspect may be adopted in which the thickness D1 on the other surface side of the coil sealing part 50 is thinner than the thickness D2 on the one surface side of the coil sealing part 50 as in the present embodiment. The thickness D1 on the other surface side of the coil sealing part 50 may be equal to or less than half the thickness D2 on the one surface side of the coil sealing part 50. According to such an aspect, heat dissipation efficiency on the other surface side of the coil sealing part 50 can be considerably improved. Furthermore, a primary coil 10 having a large number of turns is provided on the other surface side of the coil sealing part 50, and therefore, according to the present aspect, heat generated from the primary coil 10 can be effectively radiated.

[0038] Unlike the aspect described before, as illustrated in Fig. 10, an aspect in which the thickness D2 on the one surface side of the coil sealing part 50 is thinner than the thickness D1 on the other surface side of the coil sealing part 50 can also be adopted. In this case, heat dissipation efficiency on the one surface side of the coil sealing part 50 can be improved. For example, in a case where the cooling body 350 such as a heat sink is provided on the one surface side of the coil sealing part 50, an aspect may be adopted in which the thickness D2 on the one surface side of the coil sealing part 50 is thinner than the thickness on the other surface side of the coil sealing part 50 as in the present embodiment. The thickness D2 on the one surface side of the coil sealing part 50 may be equal to or less than half the thickness D1 on the other surface side of the coil sealing part 50.

Third Embodiment

[0039] Next, a third embodiment of the present invention will be described.

[0040] In the present embodiment, as illustrated in Fig. 11, another surface of a core 500 is exposed from a coil sealing part 50. Other configurations are similar to those

of the first embodiment or the second embodiment, and any aspect described in the above respective embodiments can be adopted. Identical reference signs are used for the members described in the above respective embodiments.

[0041] In the case of adopting an aspect in which the other surface of the core 500 is exposed from the coil sealing part 50 as illustrated in Fig. 11, heat dissipation efficiency on another surface side of the core 500 can be improved. For example, in a case where a cooling body 350 such as a heat sink is provided on the other surface side of the coil sealing part 50, an aspect may be adopted in which the other surface of the core 500 is exposed from the coil sealing part 50 as in the present embodiment. Furthermore, a primary coil 10 having a large number of turns is provided on the other surface side of the coil sealing part 50, and therefore, according to the present aspect, heat generated from the primary coil 10 can be effectively radiated. The surface on one side of the core 500 may not be exposed from the coil sealing part 50. A heat dissipation insulating agent such as a heat dissipation insulating sheet or heat dissipation insulating grease may be provided between the other surface of the core 500 and the cooling body 350.

[0042] Unlike the aspect described before, as illustrated in Fig. 12, an aspect can be adopted in which one surface of the core 500 is exposed from the coil sealing part 50. In this case, heat dissipation efficiency on one surface side of the core 500 can be improved. For example, in a case where a cooling body 350 such as a heat sink is provided on the one surface side of the coil sealing part 50, an aspect may be adopted in which the one surface of the core 500 is exposed from the coil sealing part 50 as in the present aspect. The surface on the other side of the core 500 may not be exposed from the coil sealing part 50. A heat dissipation insulating agent such as a heat dissipation insulating sheet or heat dissipation insulating grease may be provided between the one surface of the core 500 and the cooling body 350.

[0043] As illustrated in Fig. 13, an aspect in which the one surface and the other surface of the core 500 are exposed from the coil sealing part 50 can also be adopted. In this case, heat dissipation efficiency on both the one surface side and the other surface side of the core 500 can be improved.

[0044] The coil sealing part 50 may be provided at a location covering a part or the whole of the coils 10, 20 in the first direction, and the one surface and/or the other surface of the core 500 and a part of a side surface of the core 500 may be exposed. In the aspect illustrated in Fig. 14, the coil sealing part 50 is provided at a location covering the whole of the coils 10, 20 in the first direction, and the one surface and the other surface of the core 500 and a part of the side surface of the core 500 may be exposed. According to such an aspect, by making the coil sealing part 50 provided in lieu of a conventional insulating sheet 600 as small as possible to increase the exposed surface, high heat dissipation effect can be ex-

pected while maintaining the effect of using the coil sealing part 50. Note that an insulating sheet 600 may be provided between a leg part 510 of the core 500 and center holes 10c, 20c of the coils 10, 20.

5

Fourth Embodiment

[0045] Next, a fourth embodiment of the present invention will be described.

[0046] In the present embodiment, an aspect is adopted in which an insulating sheet 600 is provided between a core 500 and a primary coil 10 or a secondary coil 20. The insulating sheet 600 may be a heat dissipation insulating sheet. Other configurations are similar to those of the above respective embodiments, and any aspect described in the above respective embodiments can be adopted. Identical reference signs are used for the members described in the above respective embodiments.

[0047] In the present embodiment, the insulating sheet 600 may be provided between the core 500 and one surface side of the coil 10, 20 (secondary coil 20 in Fig. 16). The insulating sheet 600 may be provided between the core 500 and another surface side of the coil 10, 20 (primary coil 10 in Fig. 15). The insulating sheets 600 may be provided between the core 500 and the one surface side of the coil 10, 20 (secondary coil 20 in Fig. 17) and between the core 500 and the other surface side of the coil 10, 20 (primary coil 10 in Fig. 17). By providing the insulating sheet 600 in this manner, one surface or another surface of the coil 10, 20 can be prevented from being electrically connected to the core 500. In a case where a sealing resin is used as a coil sealing part 50 and a certain degree of pressure is applied to inject the sealing resin into a mold, the possibility that pressure from the sealing resin causes the one surface or the other surface of the coil 10, 20 to be electrically connected to the core 500 cannot be denied. In this respect, by adopting the insulating sheet 600 as in the present aspect, the coil and the core 500 can be prevented from being electrically connected.

[0048] As an example, as illustrated in Fig. 17, the insulating sheet 600 may be provided between the core 500 and the surface on the other side of the first coil 10a located outermost on the other side out of the coils 10, 20, and the insulating sheet 600 may be provided between the core 500 and the surface on the one side of the second coil 10b located outermost on the one side out of the coils 10, 20. Note that the positional relationship between the primary coil 10 and the secondary coil 20 is not particularly limited, and the primary coil 10 may be located on one side of the secondary coil 20.

Fifth Embodiment

[0049] Next, a fifth embodiment of the present invention will be described.

[0050] In the present embodiment, an aspect is adopted in which an insulating sheet 600 is provided between

a core 500 and one lateral side of coils 10, 20, or between the core 500 and another lateral side of the coils 10, 20. Other configurations are similar to those of the above respective embodiments, and any aspect described in the above respective embodiments can be adopted. Identical reference signs are used for the members described in the above respective embodiments.

[0051] In the present embodiment, the insulating sheet 600 may be provided between an inner peripheral surface of the core 500 and one lateral side of the coils 10, 20 (see Fig. 18, the insulating sheet 600 is provided on the left side in Fig. 18). The insulating sheet 600 may be provided between an inner peripheral surface of the core 500 and another lateral side of the coils 10, 20 (see Fig. 19, the insulating sheet 600 is provided on the right side in Fig. 19). As illustrated in Fig. 20, the insulating sheets 600 may be provided between the core 500 and the one lateral side of the coils 10, 20 and between the core 500 and the other lateral side of the coils 10, 20. By providing the insulating sheets 600 in this manner, the core 500 and lateral surfaces of the coils 10, 20 can be prevented from being electrically connected. In a case where a sealing resin is used as a coil sealing part 50 and certain degree of pressure is applied to inject the sealing resin into a mold, the possibility that pressure from the sealing resin causes the core 500 and the lateral surfaces of the coils 10, 20 to be electrically connected cannot be denied. In this respect, by adopting the insulating sheet 600 as in the present aspect, the coil and the core 500 can be prevented from being electrically connected.

[0052] As an example, as illustrated in Fig. 20, the insulating sheet 600 may be provided between the core 500 and one lateral side of each of the first coil 10a, the second coil 10b, and the secondary coil 20, and the insulating sheet 600 may be provided between the core 500 and the other lateral side of each of the first coil 10a, the second coil 10b, and the secondary coil 20. In Fig. 20, the continuous insulating sheet 600 prevents the lateral surfaces of the first coil 10a, the second coil 10b, and the secondary coil 20 from coming into contact with an inner peripheral surface of the core 500. However, the present invention is not limited to such an aspect, and individual insulating sheets 600 corresponding to the respective lateral surfaces of the first coil 10a, the second coil 10b, and the secondary coil 20 may be provided.

[0053] As described above, in the present embodiment, any aspect described in the above respective embodiments can be adopted, and therefore, for example, the aspects described in the fourth embodiment can be adopted. In this case, the insulating sheet 600 is provided between the core 500 and one surface side of the coil 10, 20, and/or between the core 500 and another surface side of the coil 10, 20.

[0054] As an example, as illustrated in Fig. 21, while the insulating sheet 600 may be provided between the core 500 and the surface on the other side of the first coil 10a located outermost on the other side out of the coils 10, 20 and the insulating sheet 600 may be provided

between the core 500 and the surface on the one side of the secondary coil 20 located outermost on the one side out of the coils 10, 20, the insulating sheet 600 may be provided between the core 500 and the one lateral side of each of the first coil 10a, the second coil 10b, and the secondary coil 20 and the insulating sheet 600 may be provided between the core 500 and the other lateral side of each of the first coil 10a, the second coil 10b, and the secondary coil 20.

[0055] The insulating sheet 600 may be provided only in the direction in which the coil is pressed against the core 500 and positioned. As an example, in the case of adopting an aspect in which while the coils 10, 20 are pressed against the other side of the core 500, the one lateral side of the coils 10, 20 is pressed against the inner peripheral surface of the core 500, as illustrated in Fig. 22, an aspect can also be adopted in which the insulating sheet 600 is provided between the core 500 and the surface on the other side of the first coil 10a located outermost on the other side out of the coils 10, 20, and the insulating sheet 600 is provided between the inner peripheral surface of the core 500 and the one lateral side (left side in Fig. 22) of each of the first coil 10a, the second coil 10b, and the secondary coil 20. Similarly, in the case of adopting an aspect in which while the coils are pressed against the one side of the core 500, the other lateral side of the coils 10, 20 is pressed against the inner peripheral surface of the core 500, as illustrated in Fig. 23, an aspect can be adopted in which the insulating sheet 600 is provided between the core 500 and the surface on the one side of the secondary coil 20 located outermost on the one side out of the coils 10, 20, and the insulating sheet 600 is provided between the core 500 and the other lateral side (the right side in Fig. 22) of each of the first coil 10a, the second coil 10b, and the secondary coil 20.

Sixth Embodiment

[0056] Next, a sixth embodiment of the present invention will be described.

[0057] In the present embodiment, as illustrated in Fig. 24, a coil sealing part 50 has a first sealing part 50a which seals a primary coil 10 and a secondary coil 20, and a second sealing part 50b which seals a part or the whole of the first sealing part 50a and at least a part of a core 500. An aspect is adopted in which the material for the first sealing part 50a has a higher fluidity than that of the material for the second sealing part 50b. Note that the second sealing part 50b may cover entirety of the peripheral edge of the first sealing part 50a, or may cover only a part of the peripheral edge of the first sealing part 50a. Other configurations are similar to those of the above respective embodiments, and any aspect described in the above respective embodiments can be adopted. Identical reference signs are used for the members described in the above respective embodiments.

[0058] In a case where the interval between the coils

10, 20 such as the primary coil 10 and the secondary coil 20 is narrow, it may be difficult to inject a material such as a sealing resin into the interval. In a case where the sealing resin is not injected in this manner, the possibility that a void or the like is generated and the coils 10, 20 are electrically connected to each other cannot be denied. In this respect, in a case of adopting a material having higher fluidity than that of the material such as the sealing resin for the second sealing part 50b as the material such as the sealing resin for the first sealing part 50a as in the present aspect, generation of a void described before can be prevented, and as a result, occurrence of the situation where the coils 10, 20 are electrically connected to each other can be more reliably prevented. Note that, in Fig. 24, as one example, an aspect is illustrated in which one surface and another surface of the core 500 and a part of side surfaces of the core 500 are exposed from the second sealing part 50b; however, the present invention is not limited to such an aspect, and for example, an aspect as illustrated in Fig. 25 to be described later can be used.

Seventh Embodiment

[0059] Next, a seventh embodiment of the present invention will be described.

[0060] In the present embodiment, as illustrated in Fig. 25, a coil sealing part 50 has a first sealing part 50a which seals a primary coil 10 and a secondary coil 20, and a second sealing part 50b which seals a part or the whole of the first sealing part 50a and at least a part of a core 500. Then, an aspect is adopted in which thermal conductivity of the second sealing part 50b is higher than that of the first sealing part 50a. Note that the second sealing part 50b may cover entirety of the peripheral edge of the first sealing part 50a, or may cover only a part of the peripheral edge of the first sealing part 50a. Other configurations are similar to those of the above respective embodiments, and any aspect described in the above respective embodiments can be adopted. Identical reference signs are used for the members described in the above respective embodiments.

[0061] Since the core 500 is provided on the outer peripheral sides of the primary coil 10 and the secondary coil 20, heat is finally radiated through the core 500. In this respect, by adopting an aspect in which thermal conductivity of the second sealing part 50b is higher than that of the first sealing part 50a, heat can be dissipated through the second sealing part 50b that seals at least a part of the core 500. Note that, in Fig. 25, as an example, an aspect is adopted in which entirety of the core 500 is sealed with the second sealing part 50b; however, the present invention is not limited to such an aspect, and for example, an aspect as illustrated in Fig. 24 can also be used.

[0062] As described above, in the present embodiment, any aspect described in the above respective embodiments can be adopted, and therefore, for example,

the aspect described in the sixth embodiment can be adopted. In this case, for the first sealing part 50a, a material having relatively high fluidity and low thermal conductivity as compared with those of the second sealing part 50b can be used, and for the second sealing part 50b, a material having relatively low fluidity and high thermal conductivity as compared with those of the first sealing part 50a can be used. As a result, generation of a void in the first sealing part 50a is prevented and the situation in which the coils 10, 20 are electrically connected to each other is more reliably prevented from occurring, and a high heat dissipation effect can be achieved due to high thermal conductivity in the second sealing part 50b.

Eighth Embodiment

[0063] Next, an eighth embodiment of the present invention will be described.

[0064] In the present embodiment, a coil sealing part 50 has a first sealing part 50a which seals a primary coil 10 and a secondary coil 20, and a second sealing part 50b which seals at least a part of a core 500 (see Figs. 24 and 25). Then, an aspect is adopted in which although the material of the first sealing part 50a and the material of the second sealing part 50b are different, the respective materials of the first sealing part 50a, the primary-side sealing part 150, and the secondary-side sealing part 250 are identical, or the respective materials of the second sealing part 50b, the primary-side sealing part 150, and the secondary-side sealing part 250 are identical. Other configurations are similar to those of the above first to fifth embodiments, and any aspect described in the above first to fifth embodiments can be adopted. Identical reference signs are used for the members described in the above respective embodiments.

[0065] For example, in a case where the respective materials for the second sealing part 50b, the primary-side sealing part 150, and the secondary-side sealing part 250 are identical and in a case where the material for the first sealing part 50a has higher fluidity than that of the material for the second sealing part 50b, while a special or expensive material having high fluidity can be used for the first sealing part 50a, a highly versatile and inexpensive material can be used for the second sealing part 50b, the primary-side sealing part 150, and the secondary-side sealing part 250 other than the first sealing part 50a.

[0066] For example, in a case where the respective materials for the first sealing part 50a, the primary-side sealing part 150, and the secondary-side sealing part 250 are identical and in a case where the material for the second sealing part 50b has higher thermal conductivity than that of the material for the first sealing part 50a, while a special or expensive material having high thermal conductivity can be used for the second sealing part 50b, a highly versatile and inexpensive material can be used for the first sealing part 50a, the primary-side sealing part

150, and the secondary-side sealing part 250 other than the first sealing part 50a.

Ninth Embodiment

[0067] Next, a ninth embodiment of the present invention will be described.

[0068] In the present embodiment, an aspect is adopted in which a first bent part 310 is provided in a primary-side extended part 60 between a coil sealing part 50 and a primary-side sealing part 150, a second bent part 320 is provided in a secondary-side extended part 70 between the coil sealing part 50 and a secondary-side sealing part 250, or the first bent part 310 is provided in the primary-side extended part 60 between the coil sealing part 50 and the primary-side sealing part 150 and in addition, the second bent part 320 is provided in the secondary-side extended part 70 between the coil sealing part 50 and the secondary-side sealing part 250 (see Fig. 26). Other configurations are similar to those of the above respective embodiments, and any aspect described in the above respective embodiments can be adopted. Identical reference signs are used for the members described in the above respective embodiments.

[0069] According to the present embodiment, the coil sealing part 50, the primary-side sealing part 150, and the secondary-side sealing part 250 can be arranged along different planar directions, respectively. Furthermore, the primary-side sealing part 150 and the secondary-side sealing part 250 can also be arranged such that back surfaces thereof face each other. The coil sealing part 50 and the primary-side sealing part 150 may be arranged so as to be bent at a first angle (for example, 60 degrees, 90 degrees, 120 degrees, or the like), and the coil sealing part 50 and the secondary-side sealing part 250 may be arranged so as to be bent at a second angle (for example, 60 degrees, 90 degrees, 120 degrees, or the like).

[0070] Also in the present embodiment, a cooling body 350 such as a heat sink may be provided on a back surface of the coil sealing part 50, a back surface of the primary-side sealing part 150, and a back surface of the secondary-side sealing part 250. In the case of adopting such an aspect, it is advantageous in that the coil sealing part 50, the primary-side sealing part 150, and the secondary-side sealing part 250 can be cooled by the cooling body 350. As an example, for example, in a case where an aspect is adopted in which the coil sealing part 50 and the primary-side sealing part 150 are arranged so as to be bent at 90 degrees and the coil sealing part 50 and the secondary-side sealing part 250 are arranged so as to be bent at 90 degrees, the back surface of the coil sealing part 50, the back surface of the primary-side sealing part 150, and the back surface of the secondary-side sealing part 250 can be arranged so as to come into contact with three surfaces of the cooling body 350 including a heat sink or the like, respectively, which is advantageous in that a high cooling effect can be expected.

[0071] A primary-side terminal 60 and a secondary-side terminal 70 do not need to be provided along a straight line, and may be provided, for example, orthogonal to each other in a planar direction, or may be provided so as to be crossed at an angle other than 90 degrees in a planar direction. In Fig. 27, an aspect is illustrated in which the primary-side terminal 60 and the secondary-side terminal 70 are orthogonal to each other in a planar direction. As described above, according to the present embodiment, the primary-side sealing part 150 and the secondary-side sealing part 250 can be arranged in any direction in a planar direction, and can be bent by using the first bent part 310 and the second bent part 320.

[0072] The description of the above-described respective embodiments and the disclosure of the drawings are merely examples for describing the invention described in the claims, and the invention described in the claims is not limited by the description of the above-described embodiments or the disclosure of the drawings. Furthermore, the description of the claims at the beginning of the application is merely an example, and the description of the claims can be appropriately changed on the basis of the description of Description, the drawings, or the like.

25 Reference Signs List

[0073]

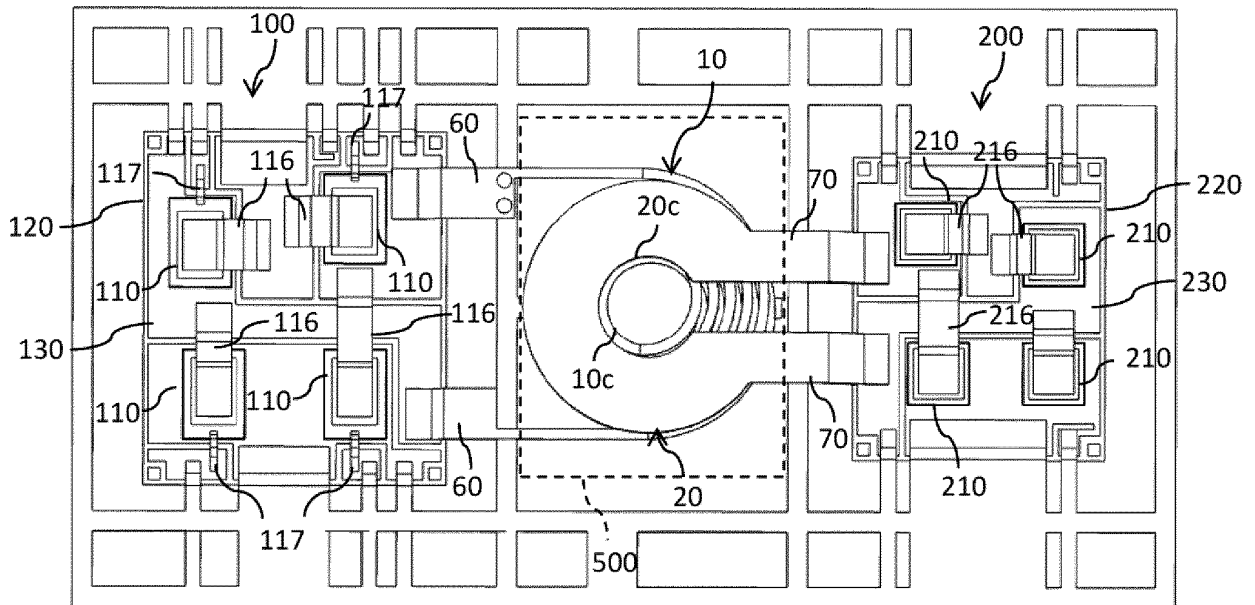
- 10 primary coil
- 20 secondary coil
- 50 coil sealing part
- 50a first sealing part
- 50b second sealing part
- 110 primary-side electronic element
- 35 150 primary-side sealing part
- 210 secondary-side electronic element
- 250 secondary-side sealing part
- 500 core
- 600 insulating sheet

Claims

1. A magnetic component comprising:
 - a primary coil;
 - a secondary coil disposed to face the primary coil;
 - a core which passes through the primary coil and the secondary coil; and
 - a coil sealing part which seals at least the primary coil and the secondary coil, and a part or whole of region between the primary coil and the secondary coil and the core.
2. The magnetic component according to claim 1 wherein an insulating sheet is provided between the primary

- coil or the secondary coil and the core.
3. The magnetic component according to claim 1 wherein
an insulating sheet is provided between one surface side of the primary coil or the secondary coil and the core, or between another surface side of the primary coil or the secondary coil and the core. 5
4. The magnetic component according to claim 1 wherein
an insulating sheet is provided between one lateral side of the primary coil or the secondary coil and the core, or between another lateral side of the primary coil or the secondary coil and the core. 10 15
5. The magnetic component according to claim 1 wherein
another surface of the core is exposed from the coil sealing part, or one surface of the core is exposed from the coil sealing part. 20
6. The magnetic component according to claim 1 wherein
the coil sealing part covers entirety of the core, and a thickness of the coil sealing part on another surface side is thinner than a thickness of the coil sealing part on one surface side, or a thickness of the coil sealing part on one surface side is thinner than a thickness of the coil sealing part on another surface side. 25 30
7. The magnetic component according to claim 1 further comprising:
35
a primary-side electronic element connected to the primary coil;
a primary-side sealing part sealing the primary-side electronic element;
a secondary-side electronic element connected to the secondary coil; and 40
a secondary-side sealing part sealing the secondary-side electronic element, wherein materials of the coil sealing part, the primary-side sealing part, and the secondary-side sealing part are identical. 45
8. The magnetic component according to claim 1 wherein
the coil sealing part has a first sealing part which seals the primary coil and the secondary coil, and a second sealing part which seals at least a part of the core, and
a material for the first sealing part has a higher fluidity than a material for the second sealing part. 50 55
9. The magnetic component according to claim 1 wherein
- the coil sealing part has a first sealing part which seals the primary coil and the secondary coil, and a second sealing part which seals at least a part of the core, and
thermal conductivity of the second sealing part is higher than thermal conductivity of the first sealing part.
10. The magnetic component according to claim 1 further comprising:
a primary-side electronic element connected to the primary coil;
a primary-side sealing part sealing the primary-side electronic element;
a secondary-side electronic element connected to the secondary coil; and
a secondary-side sealing part sealing the secondary-side electronic element, wherein
the coil sealing part has a first sealing part which seals the primary coil and the secondary coil, and a second sealing part which seals at least a part of the core,
a material of the first sealing part and a material of the second sealing part are different, and materials of the first sealing part, the primary-side sealing part and the secondary-side sealing part are identical, or materials of the second sealing part, the primary-side sealing part and the secondary-side sealing part are identical.

FIG. 1



THIRD DIRECTION

SECOND DIRECTION

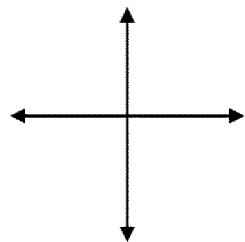


FIG. 2

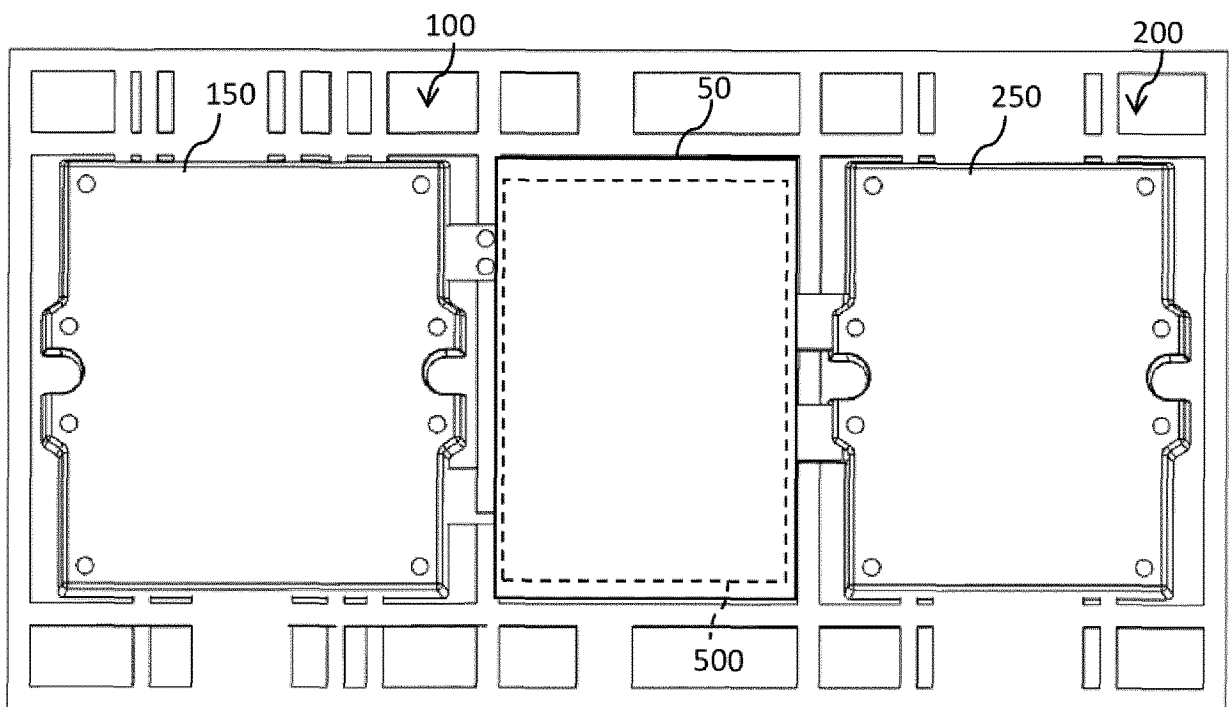


FIG. 3

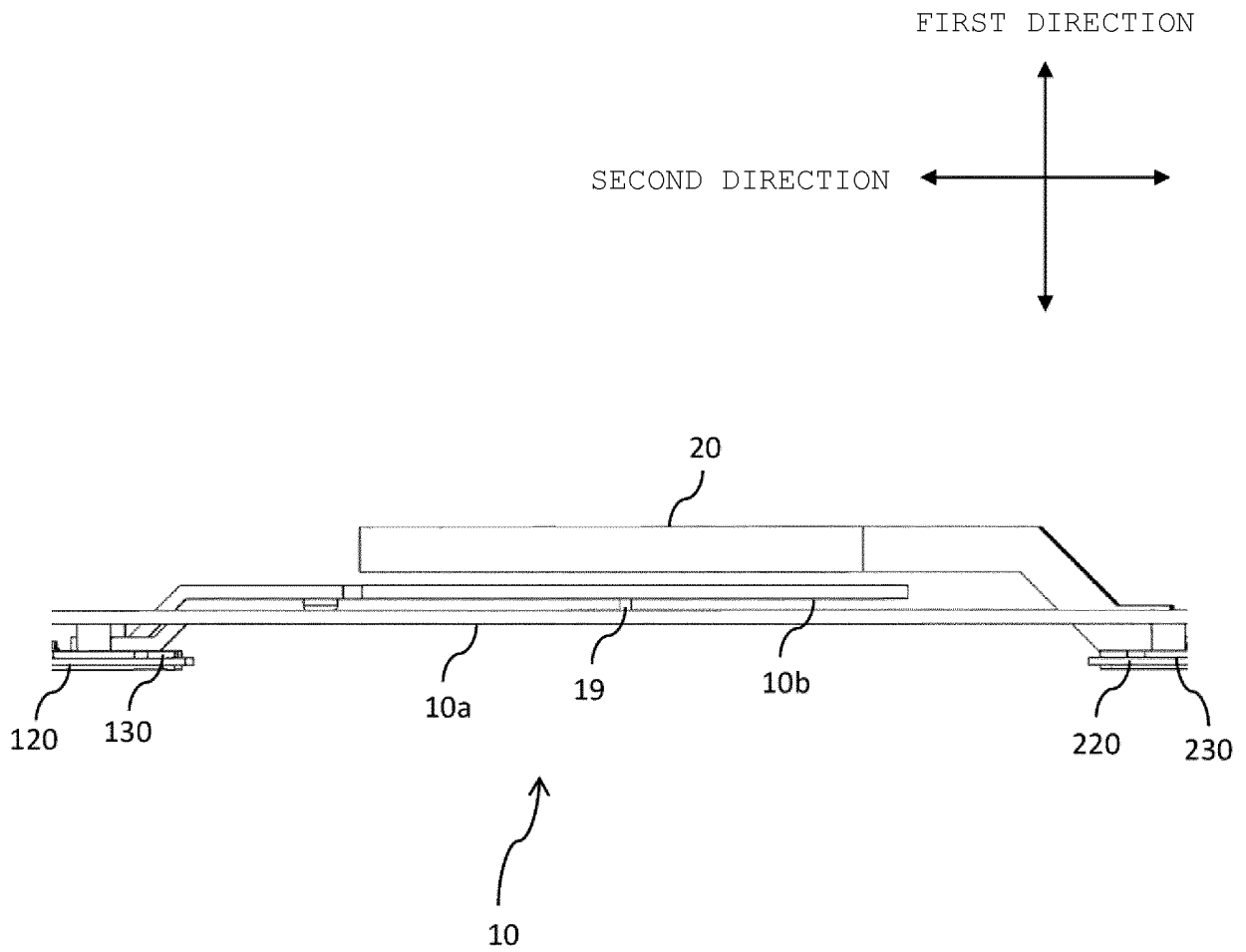


FIG. 4

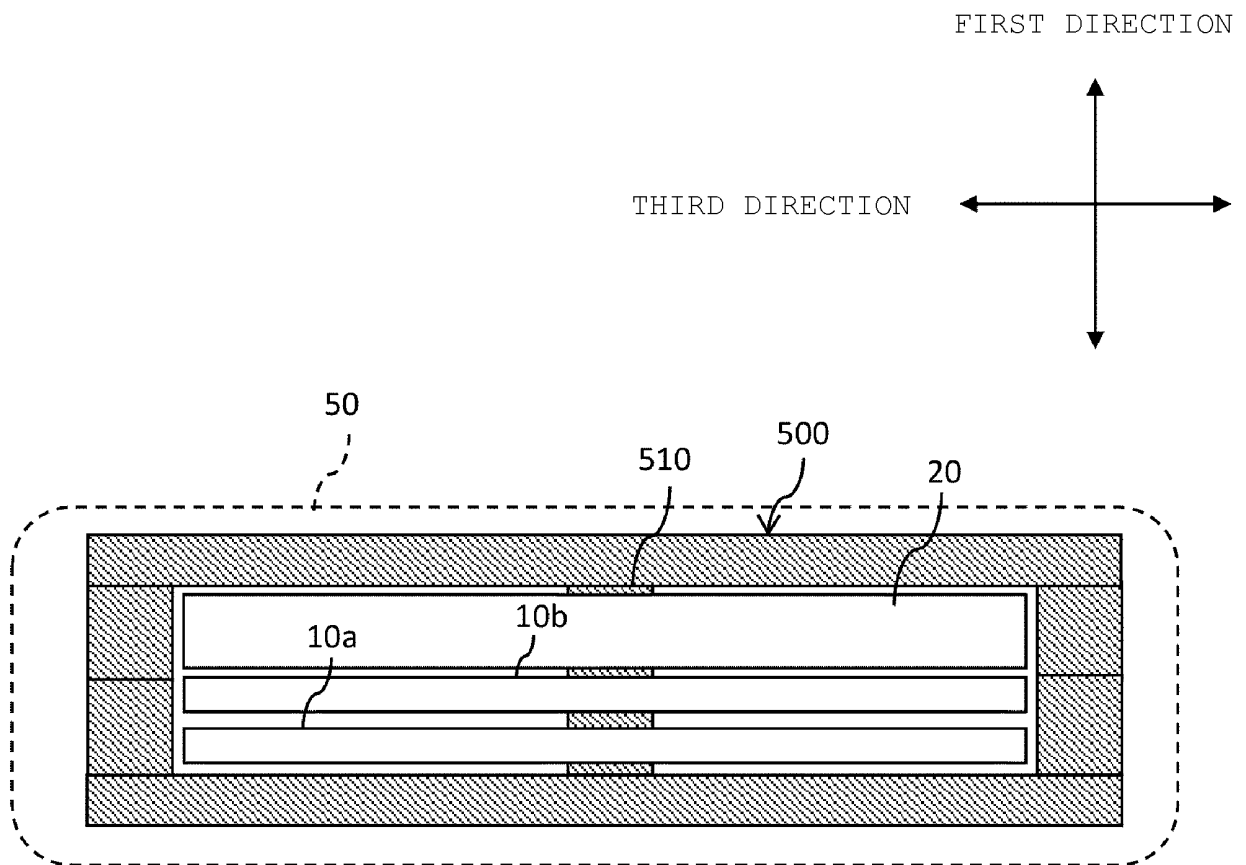


FIG. 5

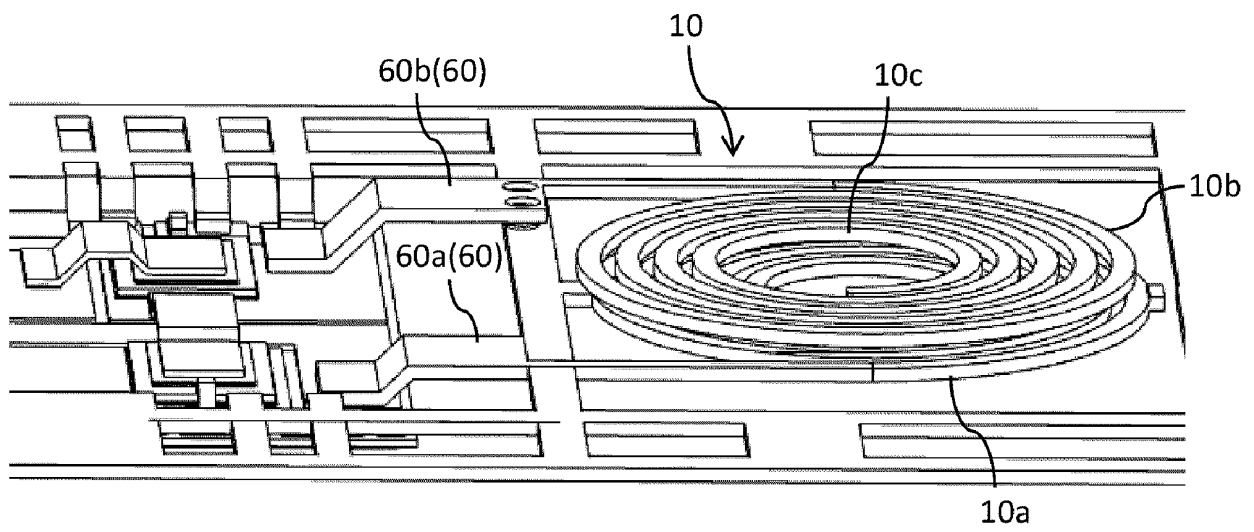


FIG. 6

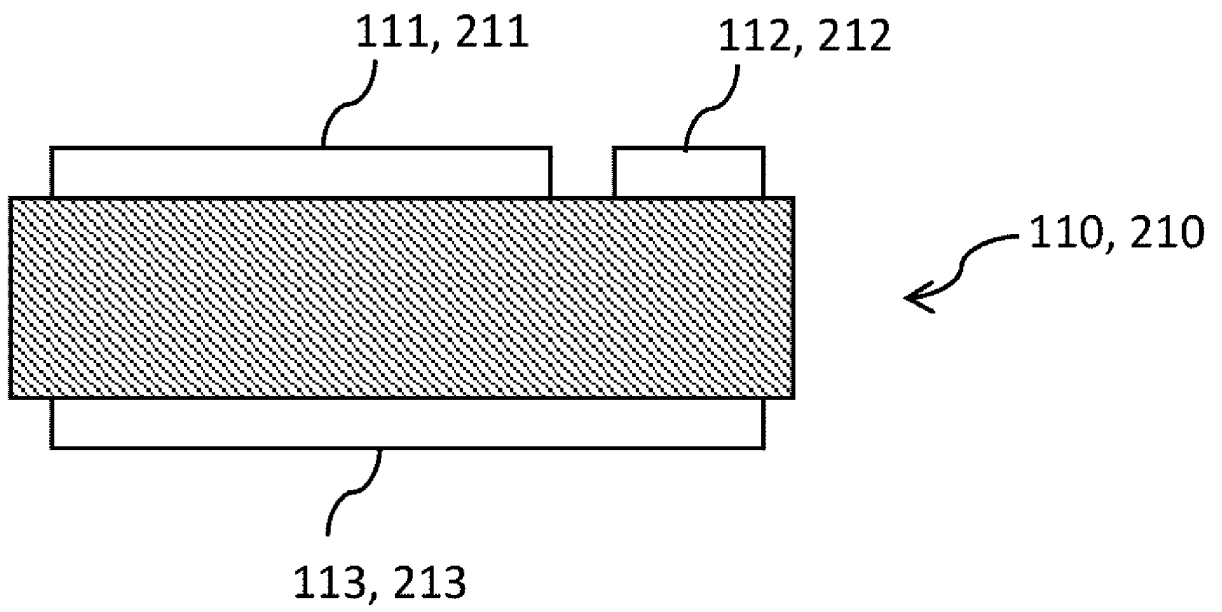


FIG. 7

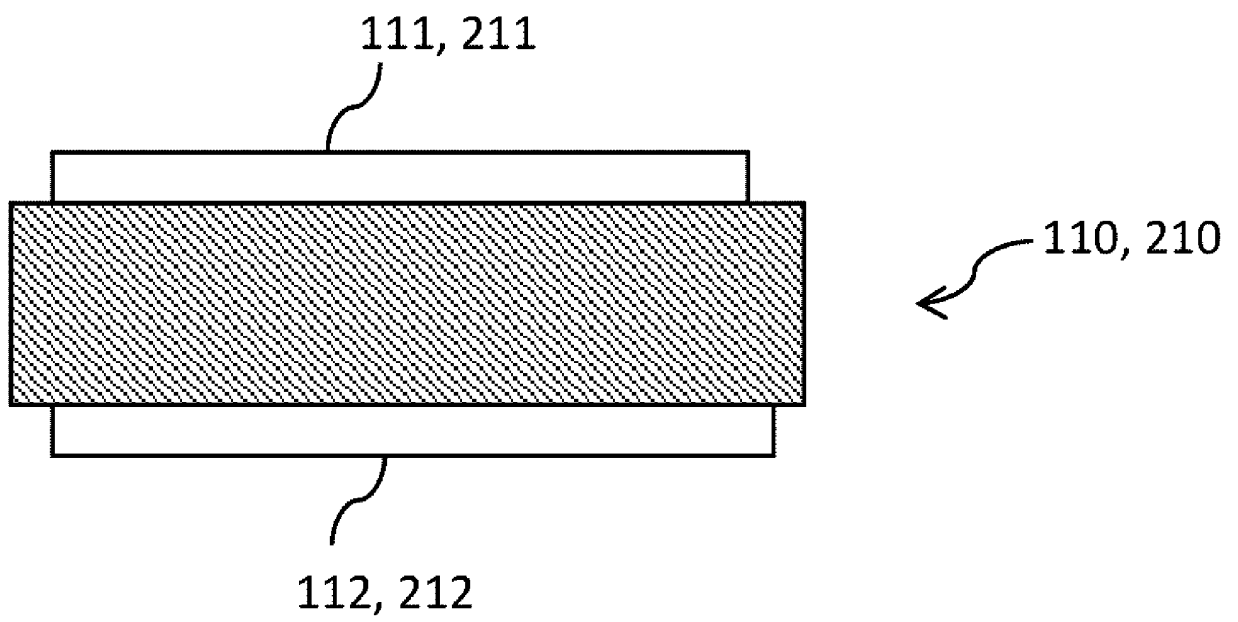


FIG. 8

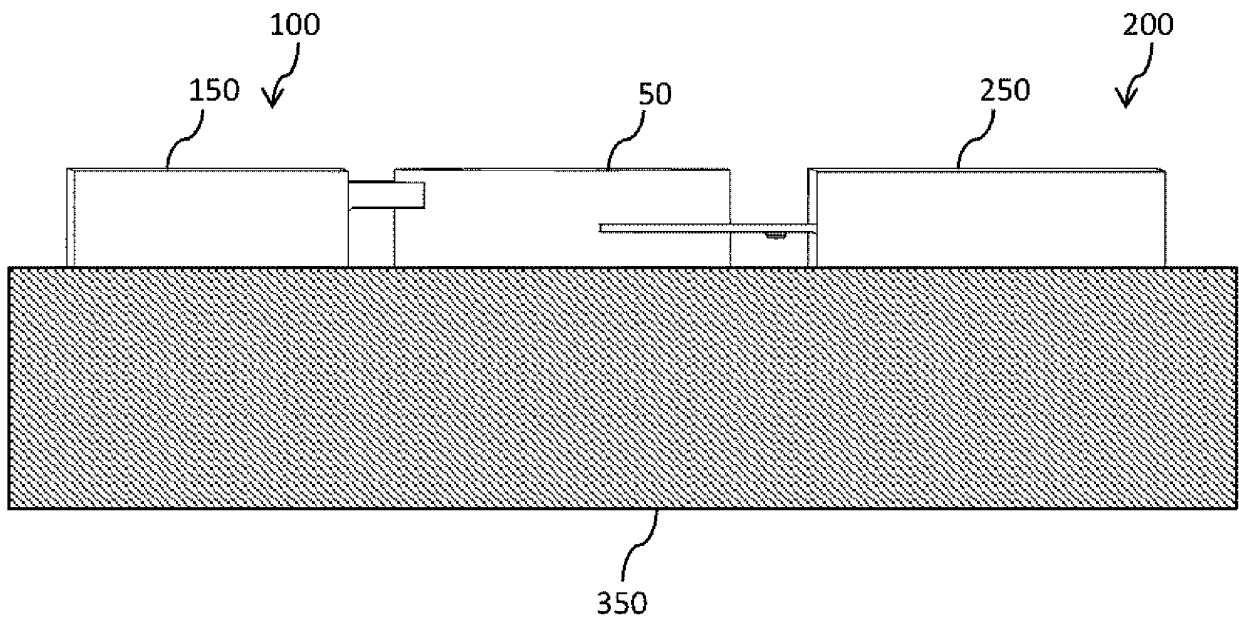


FIG. 9

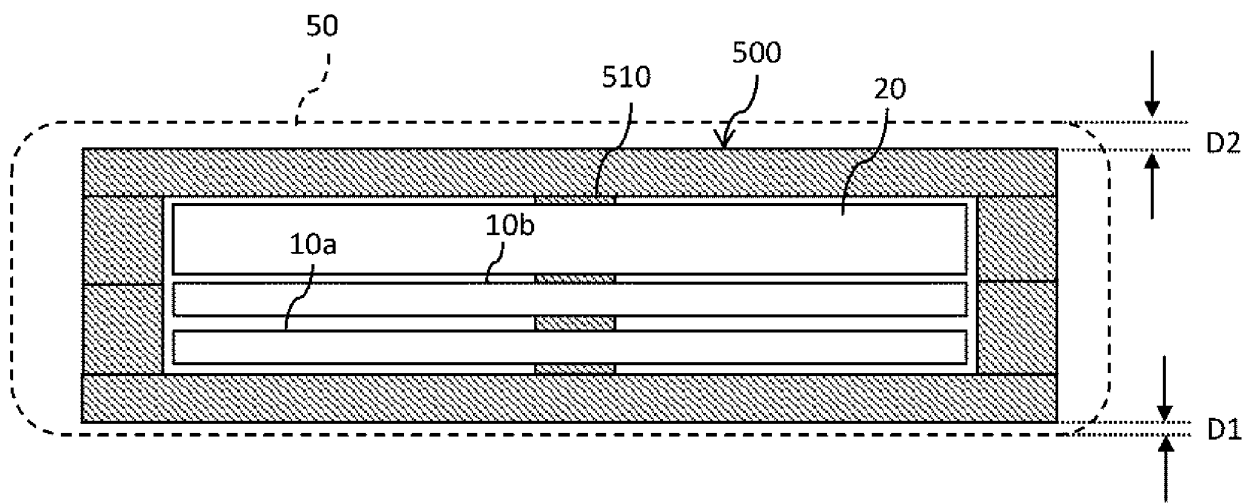


FIG. 10

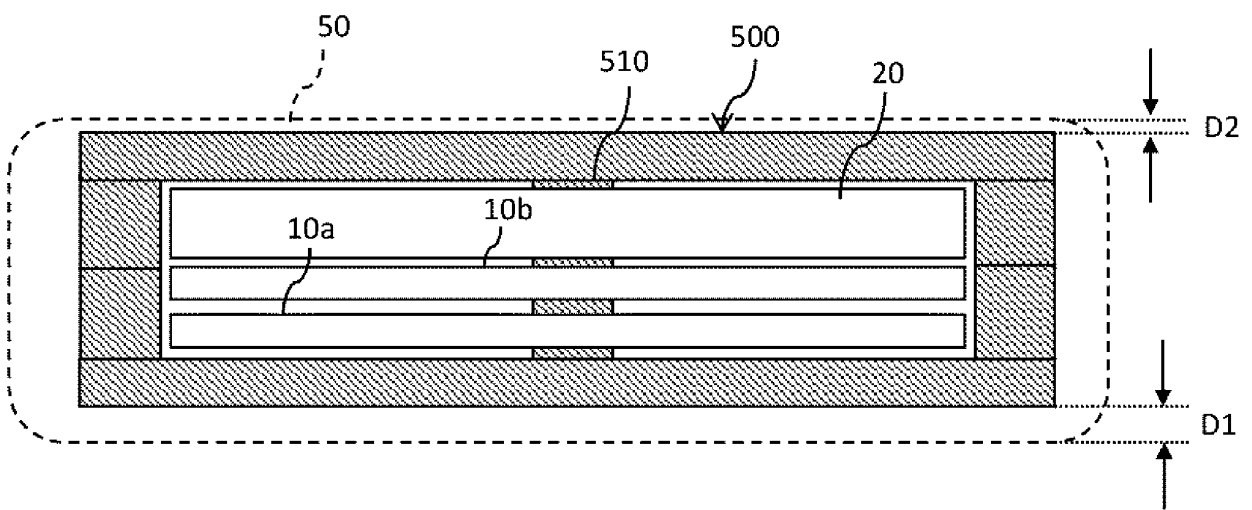


FIG.11

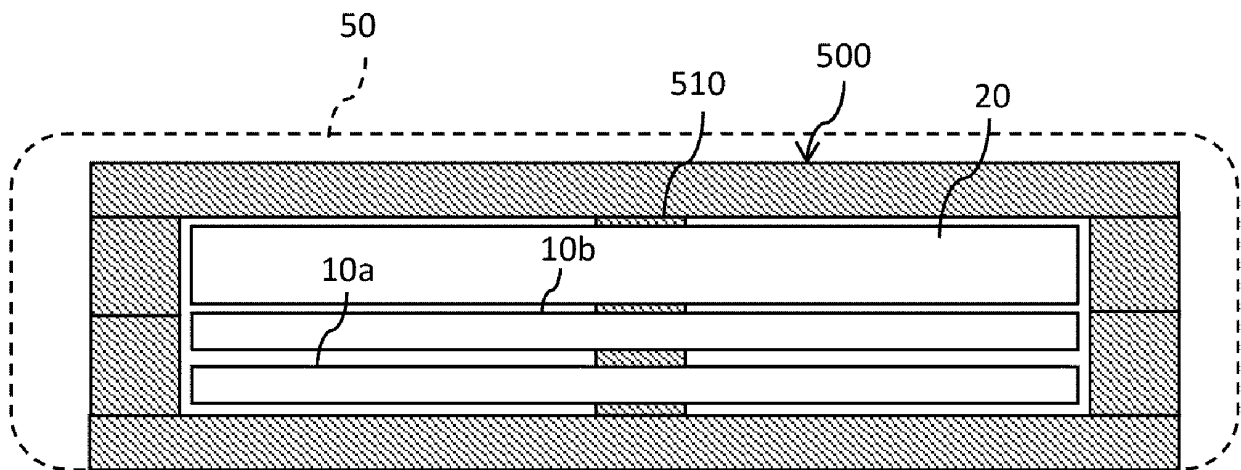


FIG.12

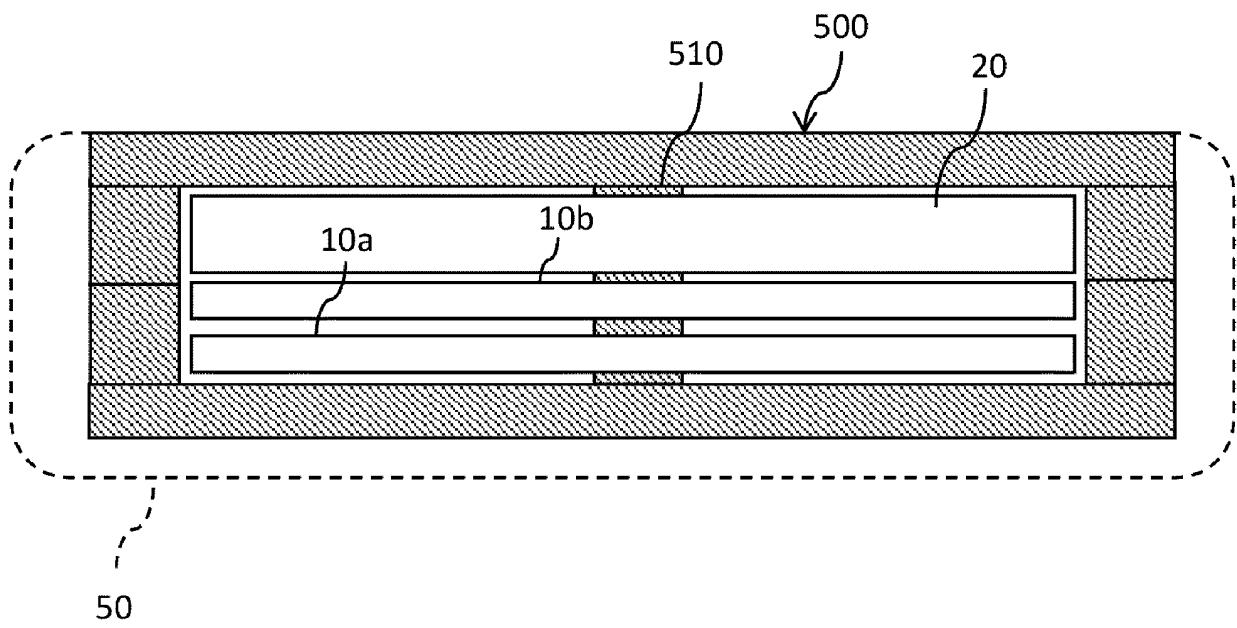


FIG.13

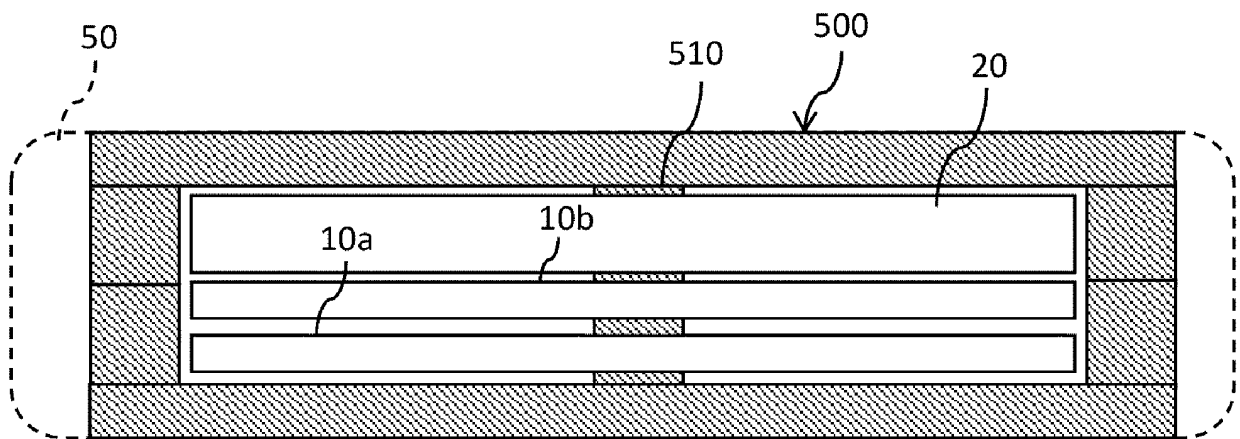


FIG.14

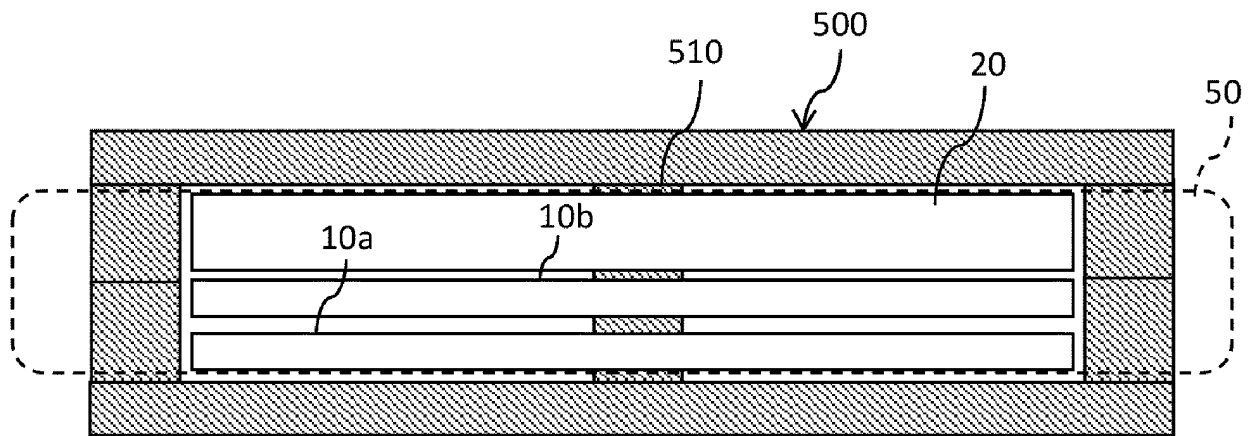


FIG.15

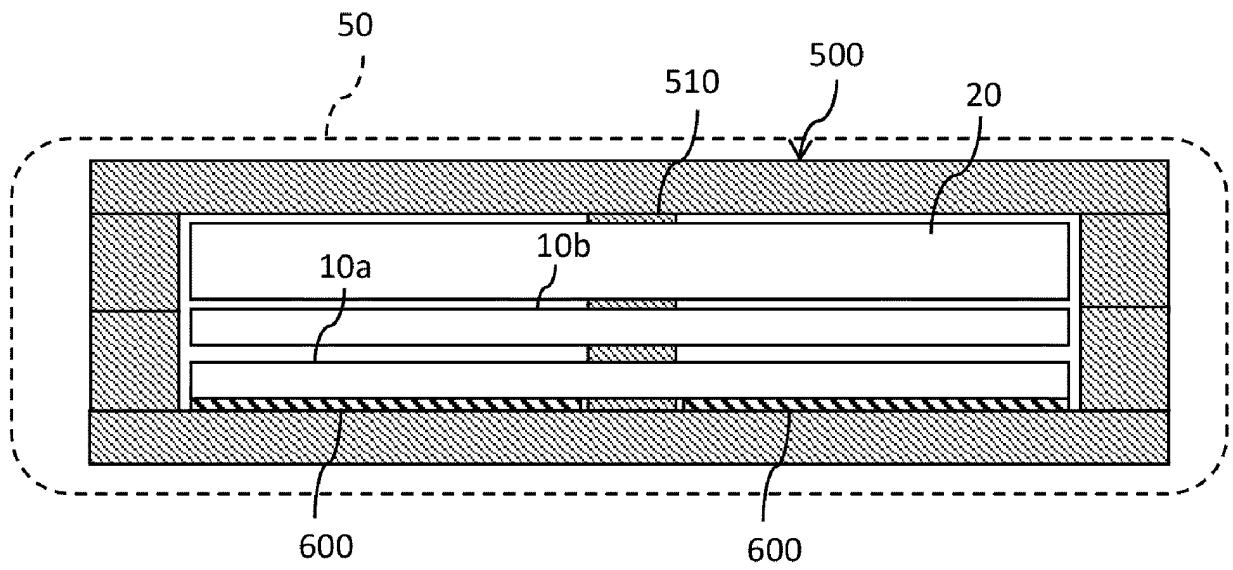


FIG.16

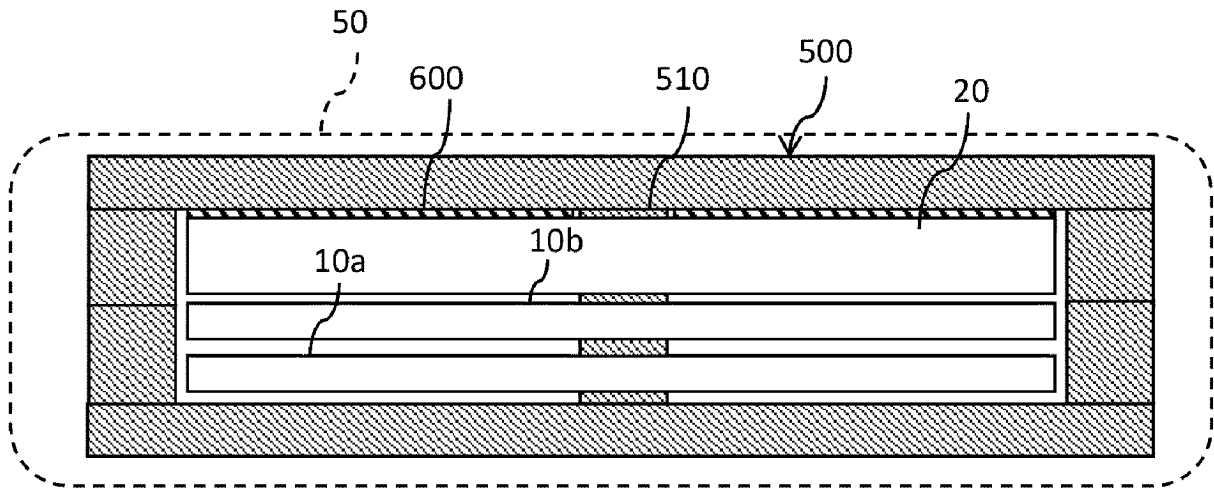


FIG.17

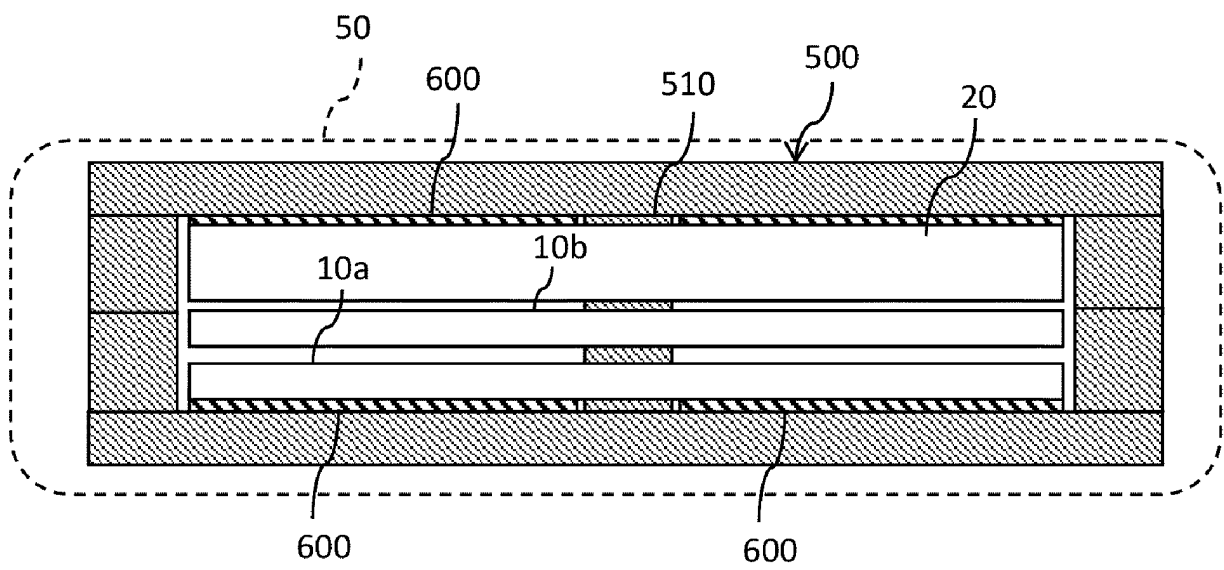


FIG.18

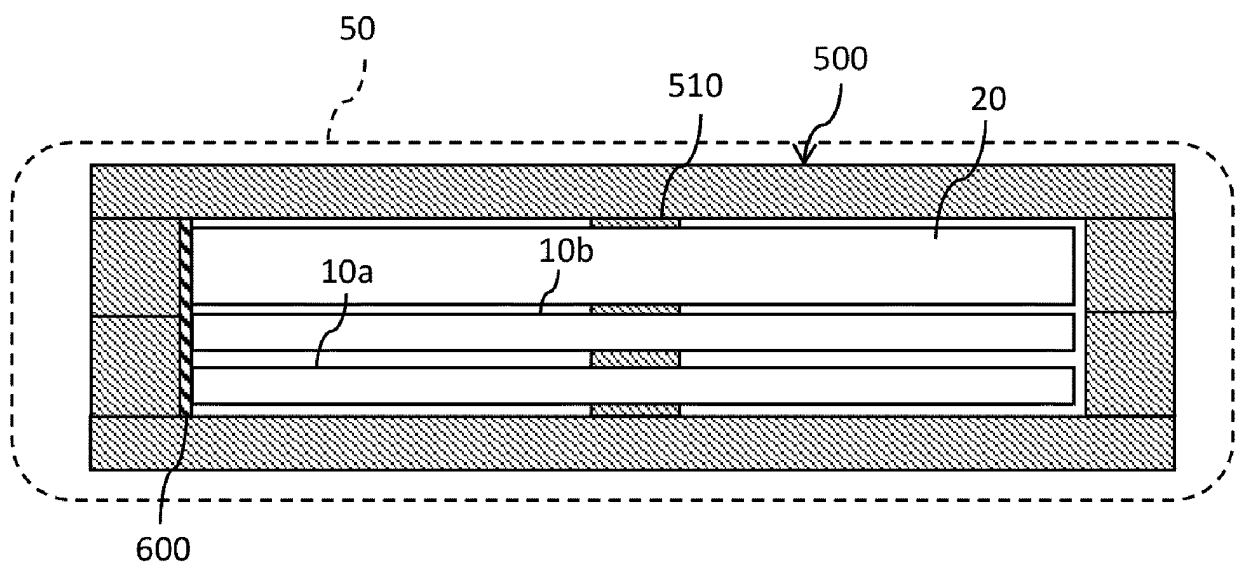


FIG.19

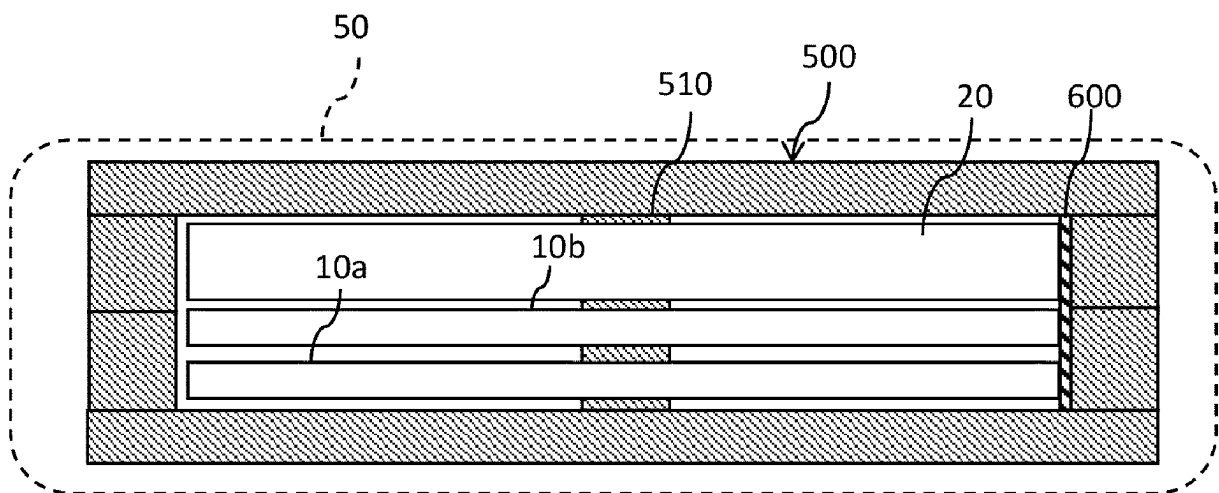


FIG. 20

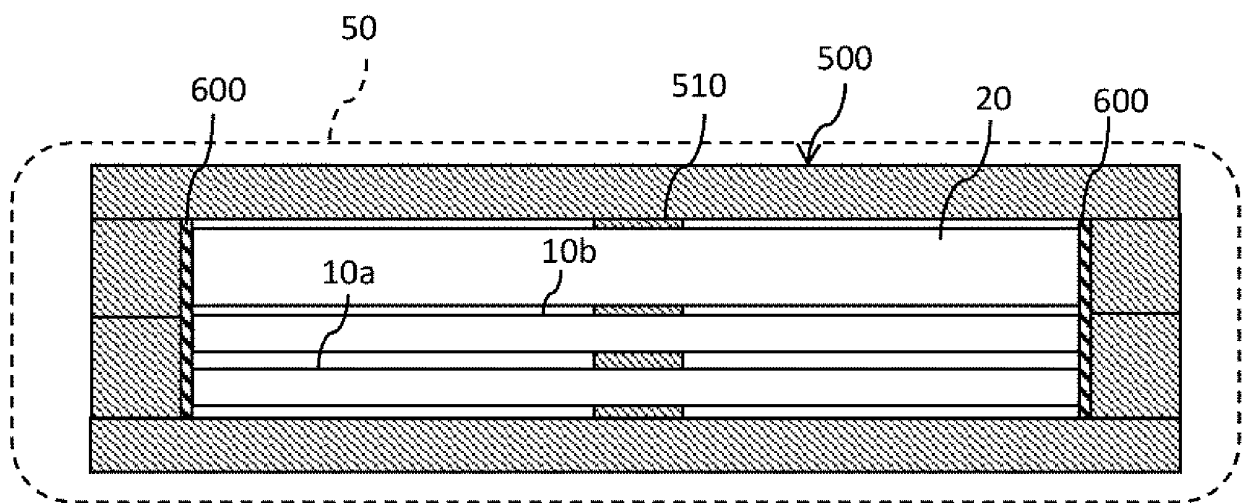


FIG. 21

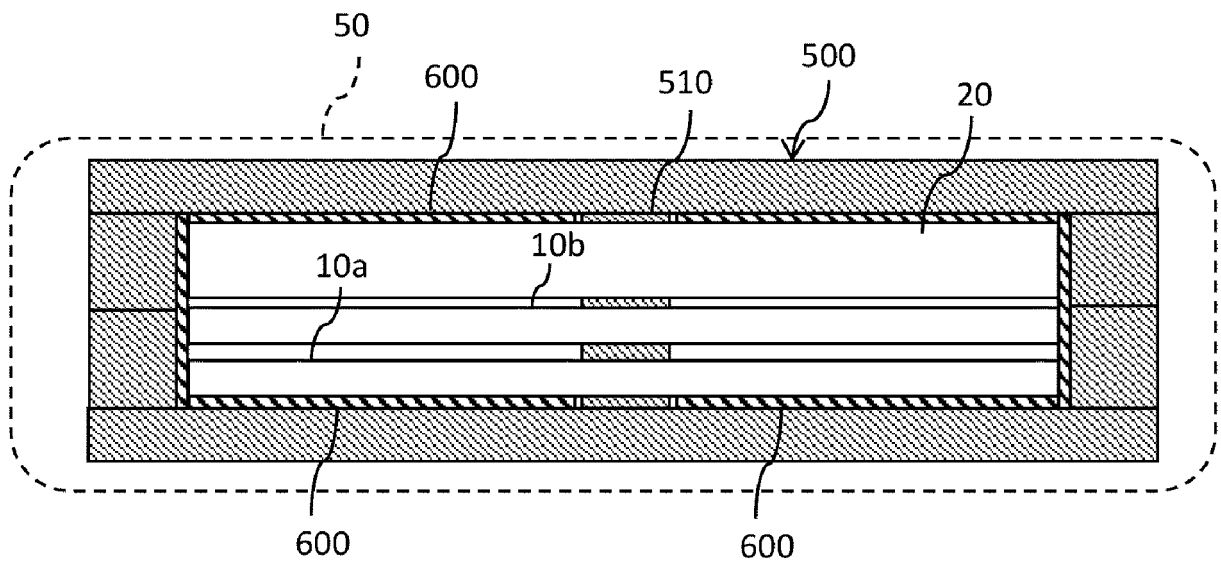


FIG. 22

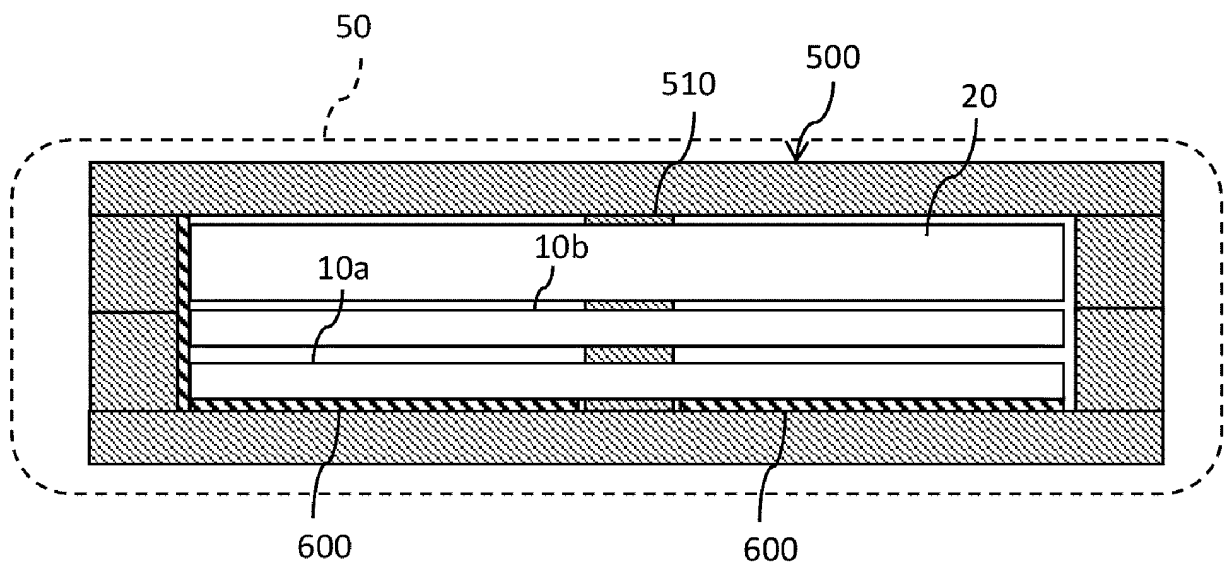


FIG. 23

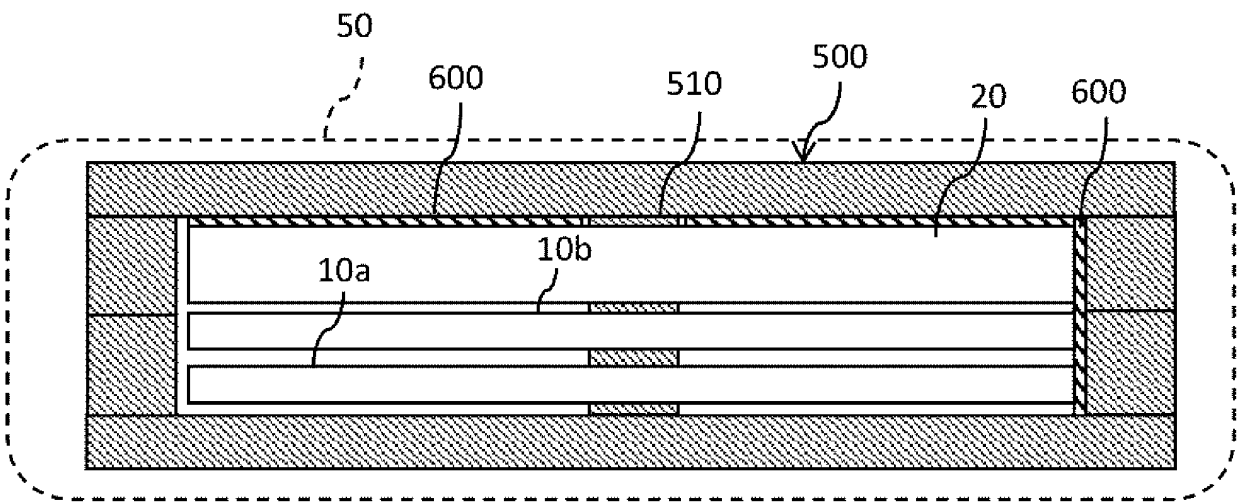


FIG. 24

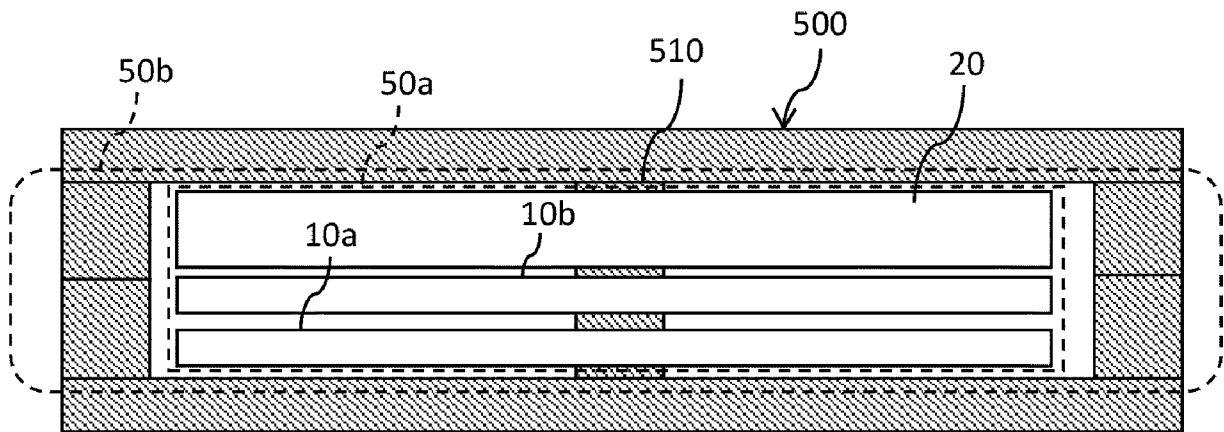


FIG. 25

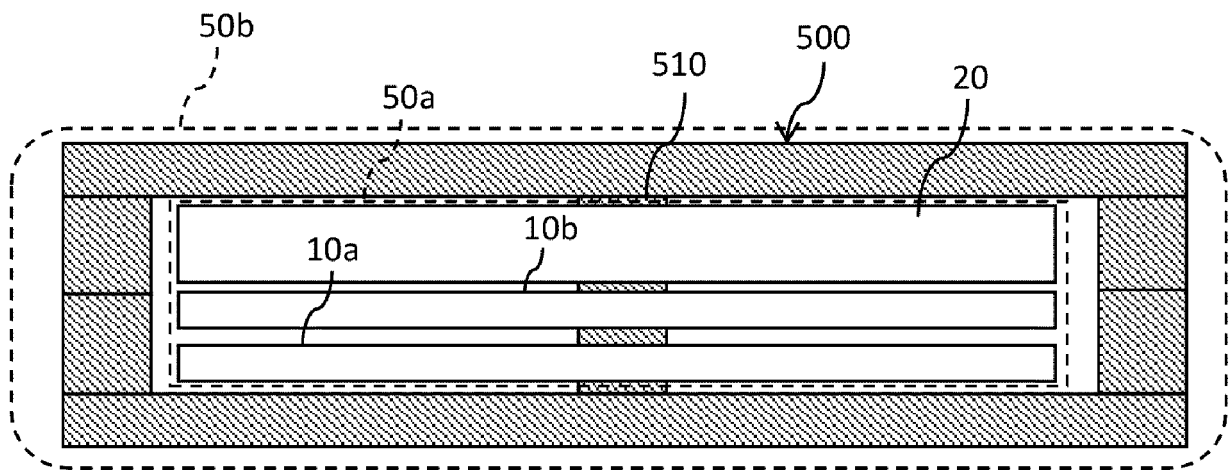


FIG. 26

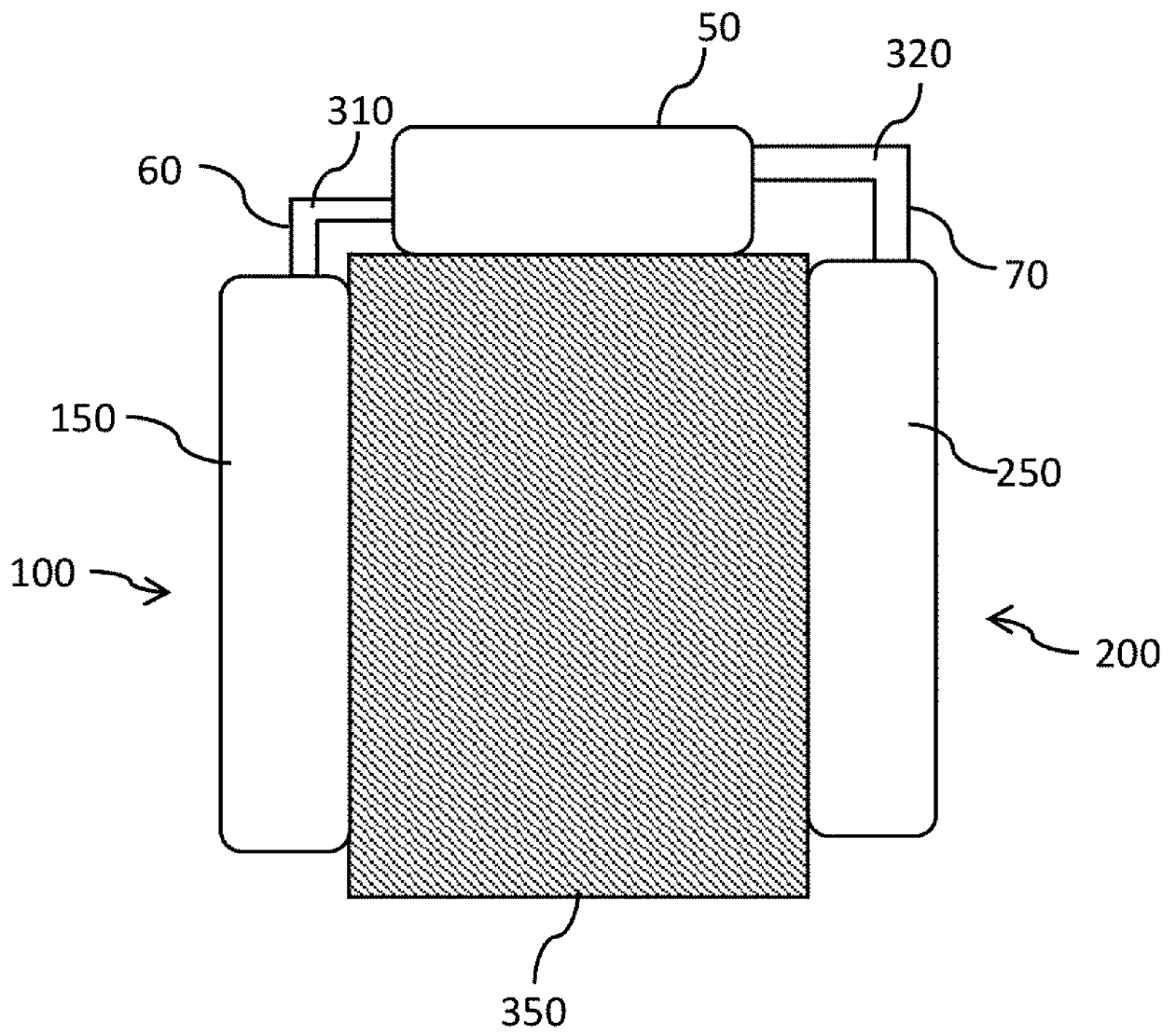
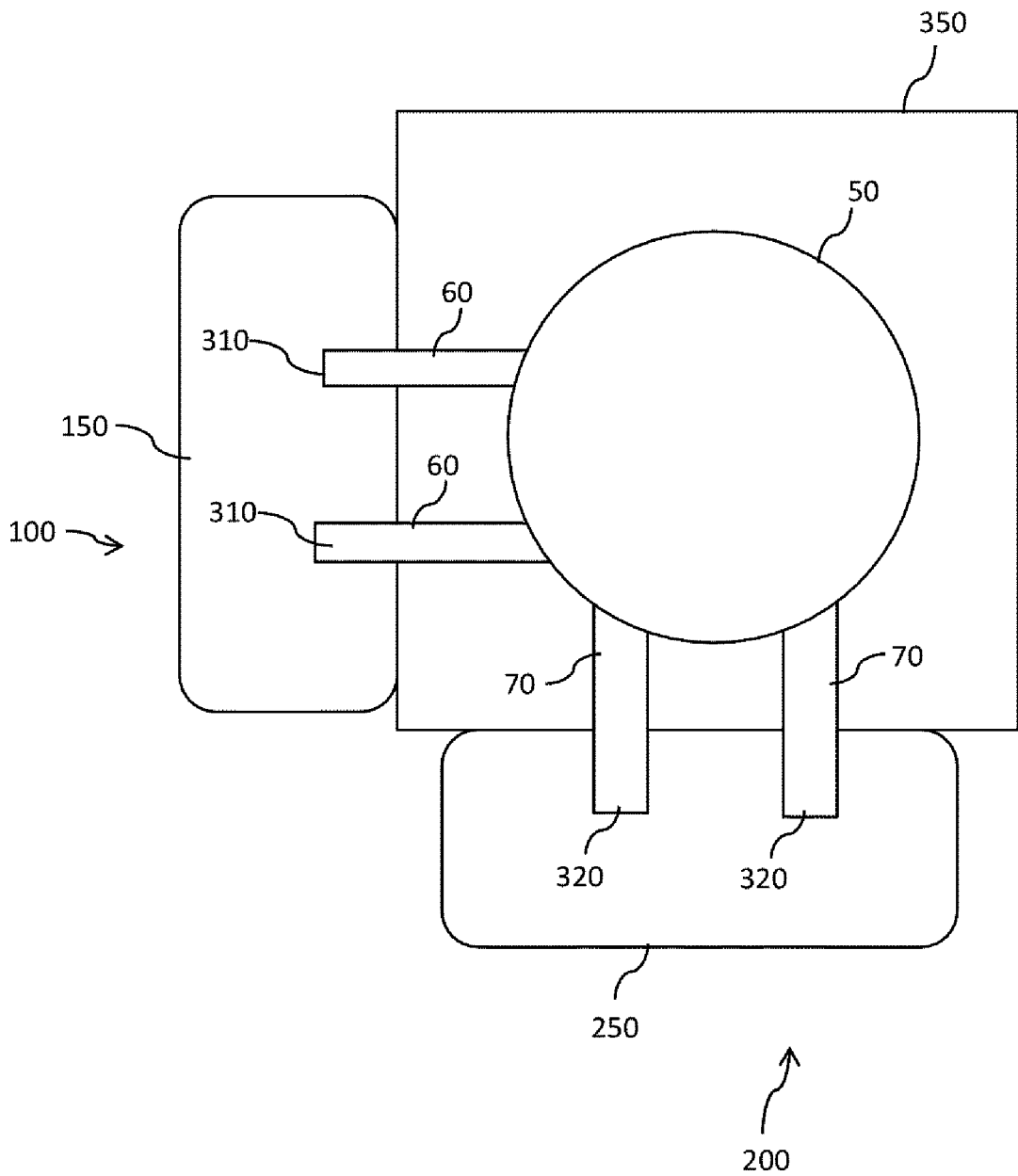


FIG. 27



INTERNATIONAL SEARCH REPORT

International application No.
PCT/JP2018/024767

5

A. CLASSIFICATION OF SUBJECT MATTER
Int.Cl. H01F30/10 (2006.01) i, H01F27/28 (2006.01) i, H01F27/32 (2006.01) i

According to International Patent Classification (IPC) or to both national classification and IPC

10

B. FIELDS SEARCHED
Minimum documentation searched (classification system followed by classification symbols)
Int.Cl. H01F30/10, H01F27/28, H01F27/32, H02M3/28

15

Documentation searched other than minimum documentation to the extent that such documents are included in the fields searched

| | |
|--|-----------|
| Published examined utility model applications of Japan | 1922-1996 |
| Published unexamined utility model applications of Japan | 1971-2018 |
| Registered utility model specifications of Japan | 1996-2018 |
| Published registered utility model applications of Japan | 1994-2018 |

20

Electronic data base consulted during the international search (name of data base and, where practicable, search terms used)

C. DOCUMENTS CONSIDERED TO BE RELEVANT

25

| Category* | Citation of document, with indication, where appropriate, of the relevant passages | Relevant to claim No. |
|-------------|--|-----------------------|
| X Y A | JP 2012-104724 A (PANASONIC CORPORATION) 31 May 2012, paragraphs [0010]-[0012], [0014], [0017]-[0020], [0022], fig. 1-3 (Family: none) | 1-6 7-8, 10 9 |
| Y A | JP 2012-231616 A (DIAMOND ELECTRIC MFG CO., LTD.) 22 November 2012, paragraphs [0016], [0020], fig. 1 (Family: none) | 7, 10 9 |

35

40

Further documents are listed in the continuation of Box C. See patent family annex.

45

| | |
|---|--|
| * Special categories of cited documents: | "I" later document published after the international filing date or priority date and not in conflict with the application but cited to understand the principle or theory underlying the invention |
| "A" document defining the general state of the art which is not considered to be of particular relevance | "X" document of particular relevance; the claimed invention cannot be considered novel or cannot be considered to involve an inventive step when the document is taken alone |
| "E" earlier application or patent but published on or after the international filing date | "Y" document of particular relevance; the claimed invention cannot be considered to involve an inventive step when the document is combined with one or more other such documents, such combination being obvious to a person skilled in the art |
| "L" document which may throw doubts on priority claim(s) or which is cited to establish the publication date of another citation or other special reason (as specified) | "&" document member of the same patent family |
| "O" document referring to an oral disclosure, use, exhibition or other means | |
| "P" document published prior to the international filing date but later than the priority date claimed | |

50

| | |
|---|--|
| Date of the actual completion of the international search 11.09.2018 | Date of mailing of the international search report 25.09.2018 |
|---|--|

55

| | |
|--|---|
| Name and mailing address of the ISA/ Japan Patent Office 3-4-3, Kasumigaseki, Chiyoda-ku, Tokyo 100-8915, Japan | Authorized officer Telephone No. |
|--|---|

INTERNATIONAL SEARCH REPORT

International application No.
PCT/JP2018/024767

C (Continuation). DOCUMENTS CONSIDERED TO BE RELEVANT

5
10
15
20
25
30
35
40
45
50
55

| Category* | Citation of document, with indication, where appropriate, of the relevant passages | Relevant to claim No. |
|-----------|--|-----------------------|
| Y | Microfilm of the specification and drawings annexed | 8 |
| A | to the request of Japanese Utility Model Application | 9 |
| | No. 020376/1979 (Laid-open No. 122326/1980) (TOKYO | |
| | SHIBAURA ELECTRIC CO., LTD.) 30 August 1980, | |
| | specification, page 2, lines 3, 4, page 2, 16 to page | |
| | 3, line 1 | |
| | (Family: none) | |

REFERENCES CITED IN THE DESCRIPTION

This list of references cited by the applicant is for the reader's convenience only. It does not form part of the European patent document. Even though great care has been taken in compiling the references, errors or omissions cannot be excluded and the EPO disclaims all liability in this regard.

Patent documents cited in the description

- JP 2014056868 A [0002]
- JP 5283247 A [0003]